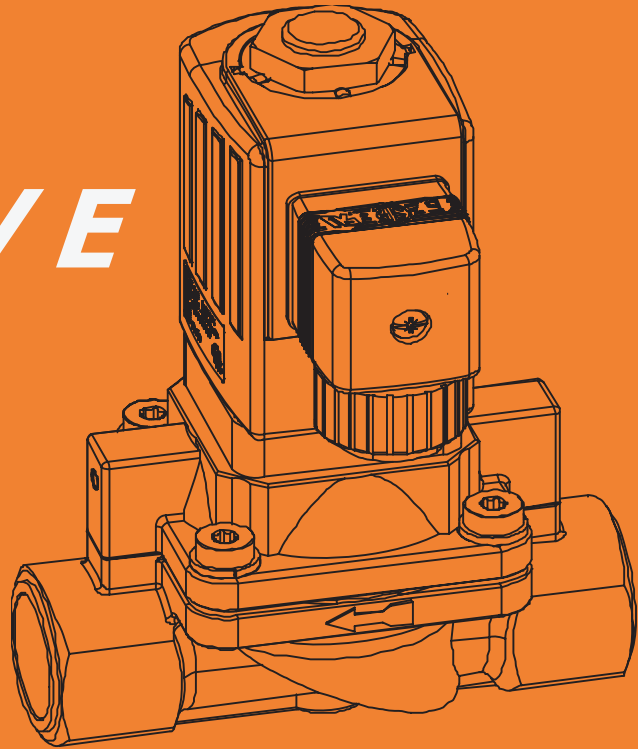


**BKVALVE**



## **Solenoid Valve.**

**Easy to Install**

**Valve good shape, large flow**

**Can be used for gas, water, oil products,**

**High reliability, long life**

# CONTENT

Page	
3	Waterhammer-free Angle Seat Valves Model. A P K 21 D
5	Stainless Steel Bevel Valve
7	Pneumatic Actuator
8	RMY Sequential controller
9	Pulse Jet Valve Model. R M F
13	2/2 Way Solenoid Valve Model. S B 1 1 6 - 2 0
17	180°C High temperature Model. S B 1 1 6 - 4 0
18	High Pressure 5 Mpa ( 50 Bar ) Model. S B 1 1 6 - 5 0
19	Electronic Drain Valve Model. C S -7 2 0 / C S 2 0 0 0
21	Zero Operation Model. P U 2 2 0
22	Zero Operation Model. 2 W
23	2 L For Steam temperature : -5 - 180 C Model. 2 W / 0927, 0925 Serie

## Pressure conversion

### Pressure

1 bar = 14.50326 PSI

1 bar = 10 N/cm<sup>2</sup>

1 bar = 0.1 MPa

1 PSI = 0.06895 bar

1 kg/cm<sup>2</sup> = 0.981 bar

### Temperature

°F = (°C x 9/5) + 32

°C = (°F - 32) x 5/9

K = °C + 273

### Flow rate

1 l/min = 16.667 m<sup>3</sup>/h

1 l/min = 1.412579 x 10<sup>-3</sup> cu ft/min (CFM)

1 m<sup>3</sup>/h = 0.06 l/min

### Mass

1 kg = 35.27399 oz.

1 kg = 2.2 lb

1 lb = 0.455 kg

# BK VALVE

## APK 21 D

### Waterhammer-free Angle Seat Valves



**Easy to Install, infinitely rotatable actuator allows pneumatic connection in any position.**

**With pilot air pressure, zero leakage, long service life.**

**50% higher flow rate than globe valves.**

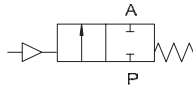
**Many connect type, such as screw thread, flange**

**With waterhammer-free functionh.**

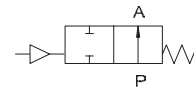
This product is used to control on/off of pipeline. It is applied in many fields, such as food and beverage, weave, printing dyeing and bleaching, sterilizer and autoclaves for hospitals and the pharmacy industry, industrial washing equipment and solvent recovery systems, machine tools. It can control the medium such as water, steam, vacuum and liquor.

#### Control Functions

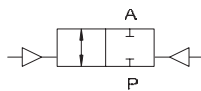
**A** 2/2-way flow valve.  
normally closed spring return



**B** 2/2-way flow valve.  
normally open spring return



**I** 2/2-way flow valve.  
with double-acting actuator



#### Order Code

**APK 21D**

Model:  
Angle Seat Valves

**15**

Connection port  
15:1/2"  
20:3/4"  
25:1"  
32:1 1/4"  
40:1 1/2"  
50:2"

**B**

Control Function  
A : normally closed spring return  
B : normally open spring return  
I : with double-acting actuator

**SS**

Body: Stainless Steel  
Blank: brass body

\* Control function

\* For steam more than 180 oC, max. Operating pressure is 10 Bar.

Ambient Temperature -10°C + 60°C

Medium Temperature -10oC + 180oC :( brass body)( Stainless steel body ) : seal material : PTFE

Actuator shell :POLYAMIDE

ITEM-NO.	Orifice (mm)	Port Connect (inch)	Kv-value Water (M3/h)	Black Head GUNMETAL	Operating Pressure (Bar)
<b>APK 21D-15B</b>	13	G1/2	4.2	50	16
<b>APK 21D-20B</b>	20	G3/4	8	50	11
<b>APK 21D-25B</b>	25	G1	19	63	11
<b>APK 21D-32B</b>	32	G1 1/4	27.5	63	15
<b>APK 21D-40B</b>	40	G1 1/2	42	63	12.5
<b>APK 21D-50B</b>	50	G2	55	63	10

**APK 21 D****Waterhammer-free Angle Seat Valves****Speiaial Order**

Control function : normally open

Double acting type actuator with no spring return.

Electronic position feedback

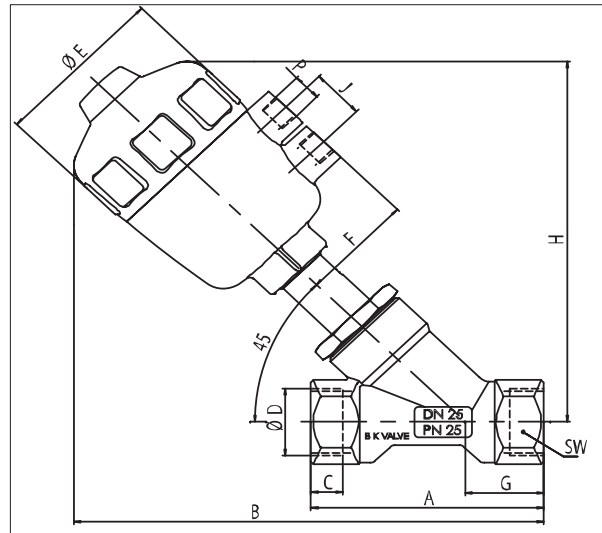
Manual emergency switch

PPS actuator outer shell can adapt to +5~+130°C

Pilot valve is suitable for NUMAR adaptor

**OVERALL DIMENSIONS :**

Model	(G)	A	B	C	E	F	H	A/F
APK 21D-15B	G1/2	85	168	12	64	44	137	27
APK 21D-20B	G3/4	95	200	12	82	52	170	32
APK 21D-25B	G1	105	212	14	82	52	178	41
APK 21D-32B	G1 1/4	120	245	16	101	60	210	50
APK 21D-40B	G1 1/2	130	250	18	101	60	213	55
APK 21D-50B	G2	150	315	20	125	72	270	70

**Ordering Notice**

Stating clearly orifice size, pipe size, specification, operating perssure etc.

According to pipeline, decide to choose double acting type ( 2 position on-off) or spring reture type ( normally closed/open)

**Optional control accessories:**

Single electric control solenoid valve ( normally open or normally closed in power off )

Double eletric control solenoid valve ( switch mode )

Valve position on-off feedback machine

Three accessories for air source processing.

Adopt explos on-proof type on dangerous and explosive occasion.

**PTFE**

resistant to almost all chemicals

non-resilient, shut-off with slight leakage

temperature range: -200°C to +250°C

fluids: various chemicals, refrigerants, ammonia, dry steam

# BK VALVE

## Stainless Steel Bevel Valve

Angle Seat Valves



Joint size : DN10-DN50

Thread : G3/8" - G2"

Welded : DIN11850.2 DIN11850.3 ISO2037

Valve body : CF8M

Seat seals : PTFE

Stem seals : PTFE/FKM

Piston seals : FKM/NBR

Applicable medium : Water, liquid, neutral gas, water Slight corrosive gas and Liquid

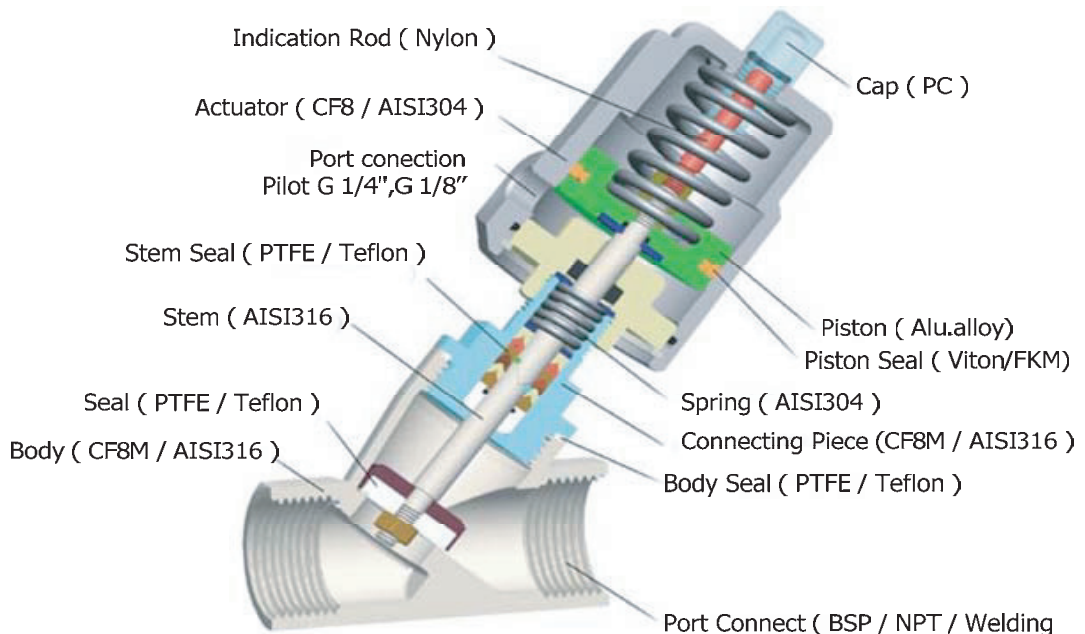
Temperature range : PTFE: -10°C to +180°C

Ambient Temperature : -10°C to +60°C

Viscosity : max 600 mm<sup>2</sup>/S

Installation : Any position

Controlling medium : Air or neutral gas



### PTFE

resistant to almost all chemicals

non-resilient, shut-off with slight leakage

temperature range: -200°C to +250°C

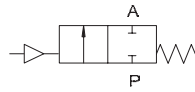
fluids: various chemicals, refrigerants, ammonia, dry steam

## Stainless Steel Bevel Valve

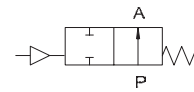
### Angle Seat Valves

#### Control Functions

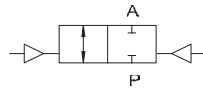
**A** 2/2-way flow valve.  
normally closed spring return



**B** 2/2-way flow valve.  
normally open spring return



**I** 2/2-way flow valve.  
with double-acting actuator



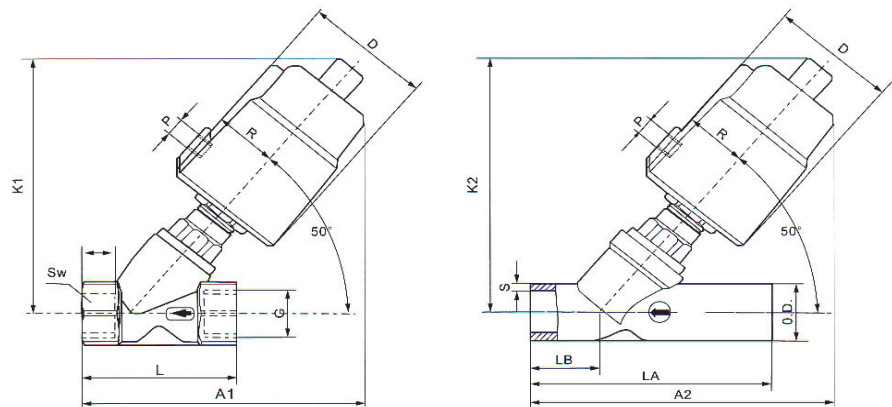
### Order Code

<b>100</b>	<b>15</b>	<b>B</b>	<b>40</b>	<b>T</b>														
Model: <b>100 Series</b> Angle Seat Valves	Connection <b>Thread</b>   <b>Welded</b>	Control Function A : normally closed spring return B : normally open spring return I : with double-acting actuator	Actuator Size : 40 : 40mm 50 : 50mm 63 : 63mm 80 : 80mm 100 : 100mm	Connect : T : Thread W : Welded														
	<table border="1"> <tr><td><b>10</b>:G3/8"</td><td></td></tr> <tr><td><b>15</b>:1/2"</td><td><b>21.3</b> : O.D 21.3</td></tr> <tr><td><b>20</b>:3/4"</td><td><b>26.9</b> : O.D 26.9</td></tr> <tr><td><b>25</b>:1"</td><td><b>33.7</b> : O.D 33.7</td></tr> <tr><td><b>32</b>:1 1/4"</td><td><b>38</b> : O.D 38</td></tr> <tr><td><b>40</b>:1 1/2"</td><td><b>42</b> : O.D 42</td></tr> <tr><td><b>50</b>:2"</td><td><b>54</b> : O.D 21.8</td></tr> </table>	<b>10</b> :G3/8"		<b>15</b> :1/2"	<b>21.3</b> : O.D 21.3	<b>20</b> :3/4"	<b>26.9</b> : O.D 26.9	<b>25</b> :1"	<b>33.7</b> : O.D 33.7	<b>32</b> :1 1/4"	<b>38</b> : O.D 38	<b>40</b> :1 1/2"	<b>42</b> : O.D 42	<b>50</b> :2"	<b>54</b> : O.D 21.8			
<b>10</b> :G3/8"																		
<b>15</b> :1/2"	<b>21.3</b> : O.D 21.3																	
<b>20</b> :3/4"	<b>26.9</b> : O.D 26.9																	
<b>25</b> :1"	<b>33.7</b> : O.D 33.7																	
<b>32</b> :1 1/4"	<b>38</b> : O.D 38																	
<b>40</b> :1 1/2"	<b>42</b> : O.D 42																	
<b>50</b> :2"	<b>54</b> : O.D 21.8																	

### OVERALL DIMENSIONS :



Welded



Spec	Actuator				Thread						Welded					
	(mm)	D	R	P	G	K1	A1	L	T	SW	O.D	K2	A2	LA	LB	S
DN10	40	45.5	27	G1/8"	G3/8"	115	120	68	12	26.6						
DN10	50	60	35	G1/8"	G3/8"	126	133	68	12	26.6						
DN15	40	45.5	27	G1/8"	G1/2"	115	120	68	15	26.6	21.3	115	128	110	30	2.65
DN15	50	60	35	G1/8"	G1/2"	126	133	68	16	26.6	21.3	126	140	110	30	2.65
DN20	50	60	35	G1/8"	G3/4"	131	137	75	17	32	26.9	131	136	108	30	3.45
DN25	50	60	35	G1/8"	G1"	140	149	90	17	39.5	33.7	140	150	112	32	3.85
DN25	63	77	43	G1/8"	G1"	165	174	90	21	39.5	33.7	165	175	112	32	3.85
DN32	63	77	43	G1/8"	G1 1/4"	175	188	116	21	50	38	175	193	136	40	3.35
DN32	80	98	52	G1/4"	G1 1/4"	185	203	116	21	50	38	185	206	136	40	3.35
DN32	100	121	63	G1/4"	G1 1/4"	205	215	116	21	50	38	205	218	136	40	3.35
DN40	63	77	43	G1/8"	G1 1/2"	178	190	116	21	55.3	42	178	193	146	40	3.2
DN40	80	98	52	G1/4"	G1 1/2"	187	204	116	21	55.3	42	187	207	146	40	3.2
DN40	100	121	63	G1/4"	G1 1/2"	208	216	116	21	55.3	42	208	219	146	40	3.2
DN50	63	77	43	G1/8"	G2"	184	203	138	22	70	54	184	206	160	45	2.7
DN50	80	98	52	G1/4"	G2"	195	218	138	22	70	54	195	220	160	45	2.7
DN50	100	121	63	G1/4"	G2"	215	230	138	22	70	54	215	232	160	45	2.7

# BK VALVE

## DA/SA (055-165) /90 Pneumatic Actuator

Rack & pinion design Double acting or spring return Adjustable stroke control Zero internal leakage



- High strength in a light compact anodized body
- Rack and pinion design. Blow –out proof pinion
- Double acting or spring return
- Direct mounting for NAMUR solenoid
- Adjustable stroke control, both inward (option) and outward
- Zero internal leakage
- All stainless steel fasteners
- Piston is epoxy coated for best internal corrosion Protection
- Top side manual override connection
- Comply with ISO 5211, DIN 3337, VDI/VED 3845, NAMUR
- Various pinion and mounting dimensions upon request
- Special design and/or material upon request

<b>Order Code</b>	<b>DA</b>	<b>65</b>	<b>90</b>
<b>DA</b> : Double acting	Actuator size		rotate clockwise
<b>SA</b> : Single acting	size 55	size 95	90°
	size 65	size 105	180°
	size 75	size 125	
	size 85	size 165	

### Double acting actuators

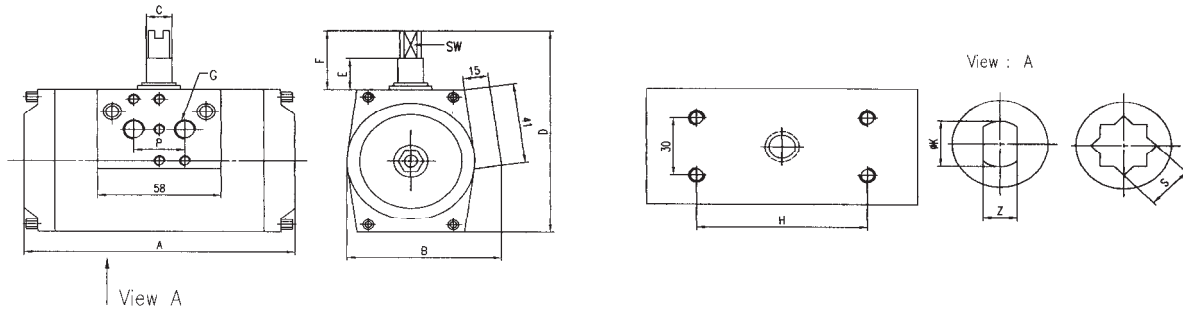
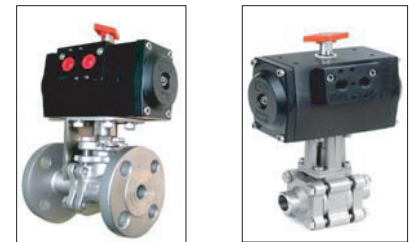
The double-acting actuator use air to rotate clockwise and counter clockwise

### Single acting actuators spring return operation ( Top View )

Spring return models use air pressure to rotate in one direction.

**BK valve Automation** actuators are designed for general pneumatic operating pressure from 3 to 10 bar (43.5 to 145 psi) and for temperature ranges of 25 C to 100 C, using clean, dry and non-corrosive air as operating media

BK has its own production line for actuators and a professional engineering team. With perfect design, the Power Mass series actuators are very easy to be disassembled and assembled in safety and can achieve a long life.



Dimensional data Unit:mm



size	Torque Nm	A	B	ØC	D	E	F	G	P	H	ØK	Mounting			ISO-5211	Weight ( kg )
												S	Z	SW		
55	12-41	127	74	12	94	6.5	20.5	1/8"	24	80	12 16	11	8 10	10	F03/F05 F04	0.94
65	18-61	133	85	12	108	7.5	20	1/8"	24	80	12 16	11	8 10	10	F03/F05 F04/F07	1.43
75	31-105	157	90	18	120	7.5	20	1/4"	24	80	12 16	14	8 10	10	F04/F05 F05/F07	2.18
85	44-148	177	97	18	128	7.5	20	1/4"	24	80	12 16	17	8 10	10	F05/F07	2.64
95	63-210	203	100	25	137	6	20.5	1/4"	24	80	22	17	14	14	F05/F07	3.38
105	88-295	216	120	25	160	6	20.5	1/4"	24	80	22	17	14	14	F07/F10	4.96
125	178-595	290	140	40	180	8	20.5	1/4"	24	80	30	22	20	20	F07/F10	8.86
165	354-1180	365	175	45	221	8.5	23	1/4"	24	130	42	27	28	28	F10/F12	15.86

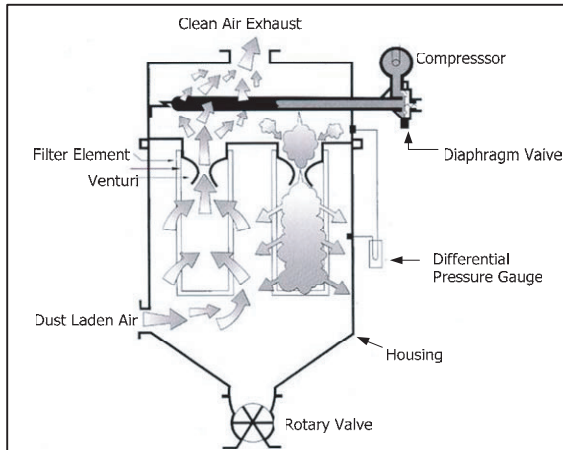


## Bag Filter Collectors

### Operation principle

The air contain dust introd through the filter bag(fabric-made tube) and the dust remains outsiders the filter bag and the clean air is discharged into the atmosphere and to maintain the filter air flow and the differential pressure at afixed rate,The filter bag buses shall inject compressed air continuously as a counterwash to remove the dust adhered outside the filter bag down to the storage chamber,so as to maintain a long-term run without stopping the machine for cleaning. The principle of the machine is given as follows.

### Principle

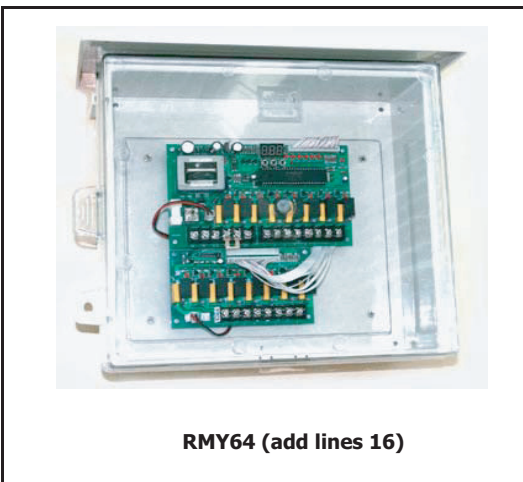


### Application

Incinerator-waste gas. Dust filtering  
 Pharmaceuatical-crushing,mixing,sleving,grinding  
 Paper mill-raw material mixing,packing  
 Dyeing industry-bagging,mixing  
 Fertilizer plany-crushing,bagging,conveying and mixing  
 Chemical plant-crushing ,mixing,conveying  
 Kilns-crushing,plasticzation,conveying  
 log mill-sawing,polishing,fiting

## RMY Sequential controller

### Control Pulse Jet Valve



**RMY64 (add lines 16)**

### PCB control

**Pulse interval and width adjustable as required.**

**Nixie tube displays information of working routes.**

**Voltage & Working lines QTY can be made to order of customer**

**Can be installed directy on dust remover or installed in control box.**

After open the sequential controller, Pls. chack the host computer, accessories and specification,s integrity,and if it is damaged during The transportation. When know all the the details, Then open the check or use the sequential controllre.

### Technical data

RMY-64	
Control Pulse Jet Valve	
<b>Input Voltage</b>	AC 110V AC220 50/60Hz
<b>Output Current</b>	DC24 AC110V AC220VAC
<b>Output Voltage</b>	1 Amp
<b>Power consumption</b>	5 W(outputing 25W)
<b>Interval Timer Range</b>	1-120 S
<b>On Timer Range</b>	1-406 ms
<b>Output Line NO,</b>	1-64 Line
<b>Working Environment</b>	Temperature -40°C±80°C
<b>Install Method</b>	Install on dust catcher or control Box
<b>Weight</b>	1.1Kg(may change when add lines)
<b>Dimension</b>	250x190x105(may change when add lines)



## Right Angle Pulse Jet Valve

Diaphragm Port sizes 3/4" to 3"



- Adopt international advanced technology.
- Used for dust remover.
- Key parts all made of imported materials.
- Pneumatic control type solenoid control type ex-proof solenoid control type for choose.
- Directing mounted to gas bag, better blowing effect and small loss of air source.

### Order Code

<b>RMF</b>	<b>Z</b>	<b>25</b>	<b>P</b>	<b>*</b>
Pulse Jet Valve	Z : Solenoid Control Q : Pneumatic Control	Connection port 20:3/4" 25:1" 35:1 1/2" 40:1 1/2" 50:2" 60:1 1/2" 76:3" 100:100	Blank: Normal Thread Type A: Thread Type+insert pipe P:Thread Type S: Double Diaphragms J: Thread Type (Economy Type)	Power Voltage Coil AC 24 V Coil AC 36 V Coil AC 110 V Coil AC 220 V Coil DC 12 V Coil DC 24 V

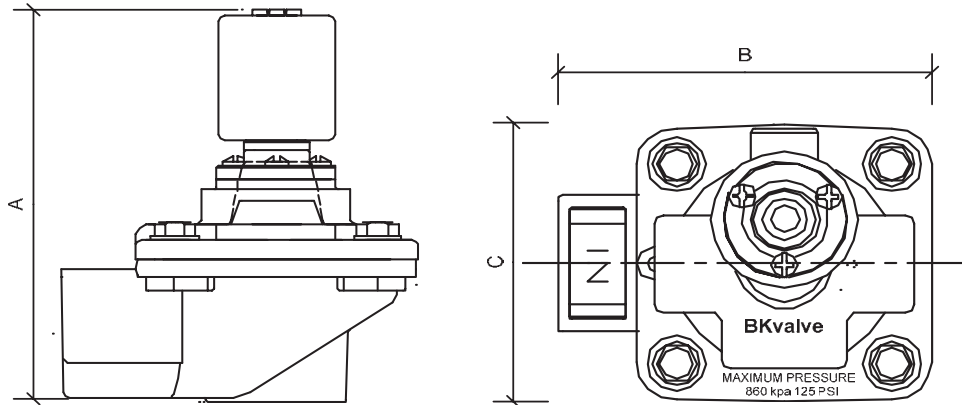
Ambient Temperature -5°C + 55°C

\* Response times 0.33 - 1 seconds( depending on orifice and differential pressure )

ITEM-NO.	Orifice (mm)	Port Connect (inch)	Working Medium	Seal material	Operating Pressure (Bar)
RMF-Z-20A	20	G3/4		NBR	3 - 8 Bar
RMF-Z-20P	20	G3/4		NBR	3 - 8 Bar
RMF-Z-20	20	G3/4		NBR	3 - 8 Bar
RMF-Z-25	25	G1		NBR	3 - 8 Bar
RMF-Z-25P	25	G1		NBR	3 - 8 Bar
RMF-Z-35P	35	G1 1/2	Clean	NBR	3 - 8 Bar
RMF-Z-40S	40	G1 1/2	Air	NBR	3 - 8 Bar
RMF-Z-50S	50	G2		NBR	3 - 8 Bar
RMF-Z-62S	62	G2 1/2		NBR	3 - 8 Bar
RMF-Z-76S	76	G3		NBR	3 - 8 Bar
RMF-Z-100S	100	100mm		NBR	3 - 8 Bar

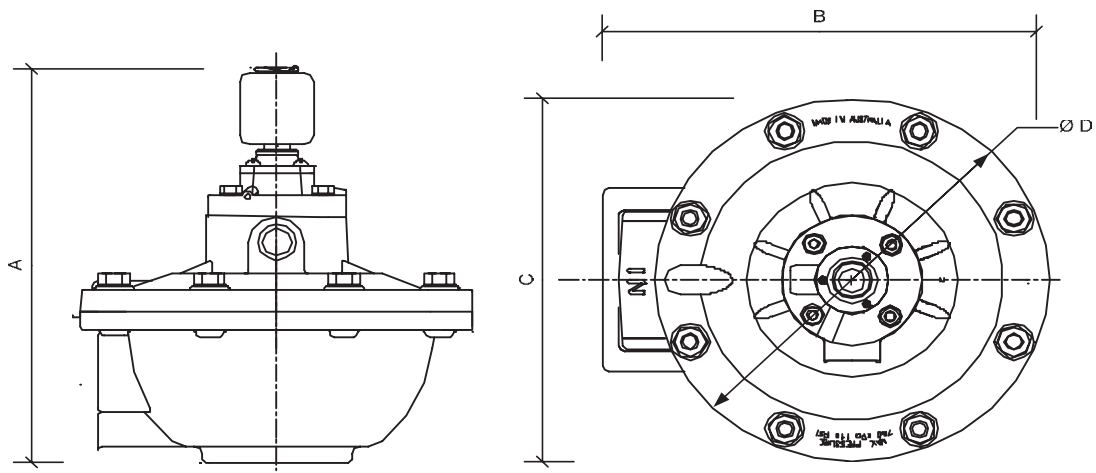
## Right Angle Pulse Jet Valve

Diaphragm Port sizes 3/4" to 3"



**OVERALL DIMENSIONS :**

ITEM-NO.	Orifice (mm)	Port Connect (inch)	A	B	C	D
RMF-Z-20P	20	G3/4	124	105	82.5	
RMF-Z-25P	20	G3/4	124	105	82.5	
RMF-Z-20	20	G3/4	110	90.5	75	
RMF-Z-25	25	G1/2	110	90.5	75	



**OVERALL DIMENSIONS :**

ITEM-NO.	Orifice (mm)	Port Connect (inch)	A	B	C	D
RMF-Z-20A	20	G3/4	173	145		Ø90
RMF-Z-35P	35	G1 1/2	142	121		Ø112
RMF-Z-40S	40	G1 1/2	166	132		Ø137
RMF-Z-50S	50	G2	202	210		Ø185
RMF-Z-62S	62	G2 1/2	222	210		Ø185
RMF-Z-76S	76	G3	245	230.5		Ø200
RMF-Z-100S	100	100mm	356	286.5		Ø221

## In Line Pulse Jet Valve

Diaphragm Port



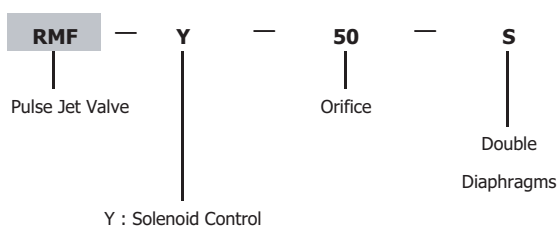
Adopt international advanced technology.

Used for dust remover.

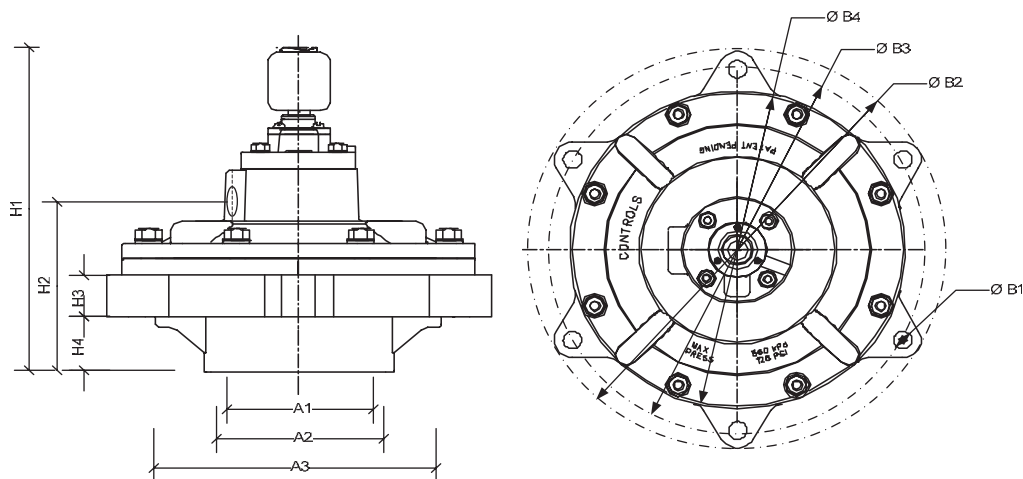
Key parts all made of imported materials.

Pneumatic control type solenoid control type  
ex-proof solenoid control type for choose.

Female thread connection port, easy to be mounted.



ITEM-NO.	Orifice (mm)	Port Connect	Working Medium	Seal material	Operating Pressure (Bar)
RMF-Y-62S	62	Ø65		NBR	3 - 8 Bar
RMF-Y-50S	50	Ø80	Clean	NBR	3 - 8 Bar
RMF-Y-76S	76	Ø90	Air	NBR	3 - 8 Bar



**OVERALL DIMENSIONS :**

ITEM-NO.	A1	A2	A3	B1	B2	B3	B4	H1	H2	H3	H4
RMF-Z-20A	Ø64.5	Ø78.5	Ø118	6-Ø11.5	Ø200	Ø180	Ø159	187	100	25	31
RMF-Z-35P	Ø80	Ø83.5	Ø145	6-Ø11	Ø226	Ø204	Ø185	187	107	34.5	35
RMF-Z-40S	Ø90	Ø99	Ø141	6-Ø11	Ø246	Ø227	Ø200	207	113	27	34

## Insert Pipe Type Diaphragm Valve



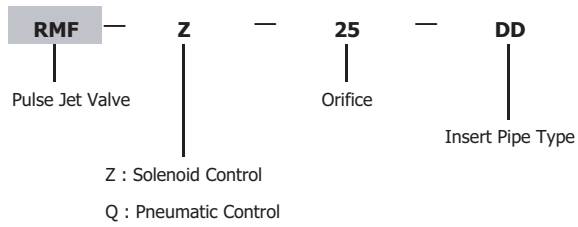
Adopt international advanced technology.

Used for dust remover.

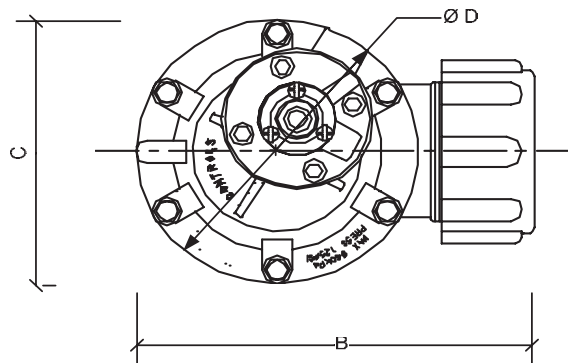
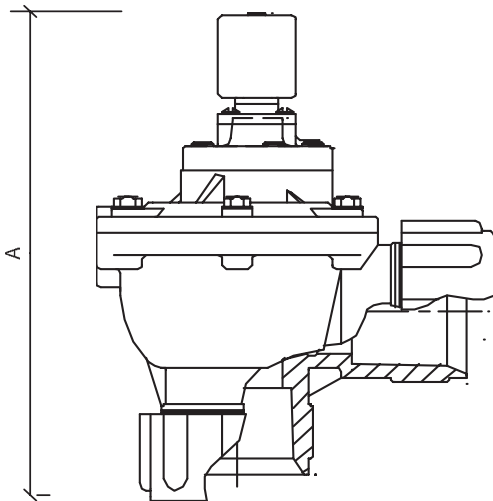
Key parts all made of imported materials.

Pneumatic control type solenoid control type  
ex-proof solenoid control type for choose.

Insert pipe style, more easier to be mounted.



ITEM-NO.	Orifice (mm)	Port Connect	Working Medium	Seal material	Operating Pressure (Bar)
RMF-45DD	25	Ø35	Clean	NBR	3 - 8 Bar
RMF-25DD	45	Ø50	Air	NBR	3 - 8 Bar

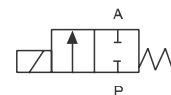


### OVERALL DIMENSIONS :

ITEM-NO.	A	B	C	D
RMF-45DD	189	131	82.5	
RMF-25DD	237	179.5		Ø126

**BK VALVE****SB116 - A**

**2/2 Way Solenoid Valve. Normally closed,  
Direct acting , diaphragm structure , can work at zero Port sizes 1/4" to 1"**



**Can be used below 90°C**

**Can be used for gas, water, oil products,  
weak acid and alkali**

**Low noise: no impingement shock and vibration sound**

**Smooth running, large flow**

**High reliability, long life  
Thermosetting plastic full cladding**

**Coil model : BD-A-3  
Thermosetting plastic encapsulating  
Plug conforms with ISO standard  
IP 65 protection class with plug**

**Order Code****SB116**

2 way valve  
Servo operated

**20**

**20** - Type  
Normal Pressure

**40** - Type  
Hight temperature

**50** - Type  
Hight pressure

**15**

Connection  
port  
08:1/4"  
10:3/8"  
15:1/2"  
20:3/4"  
25:1"

**A**

**A** : Direct Acting  
**B** : Servo operated

**\***

Power Voltage  
Coil AC 24 V  
Coil AC 36 V  
Coil AC 110 V  
Coil AC 220 V  
Coil DC 12 V  
Coil DC 24 V

Ambient Temperature -10°C + 55°C

Medium Temperature -10°C + 90°C : brass body : seal material NBR

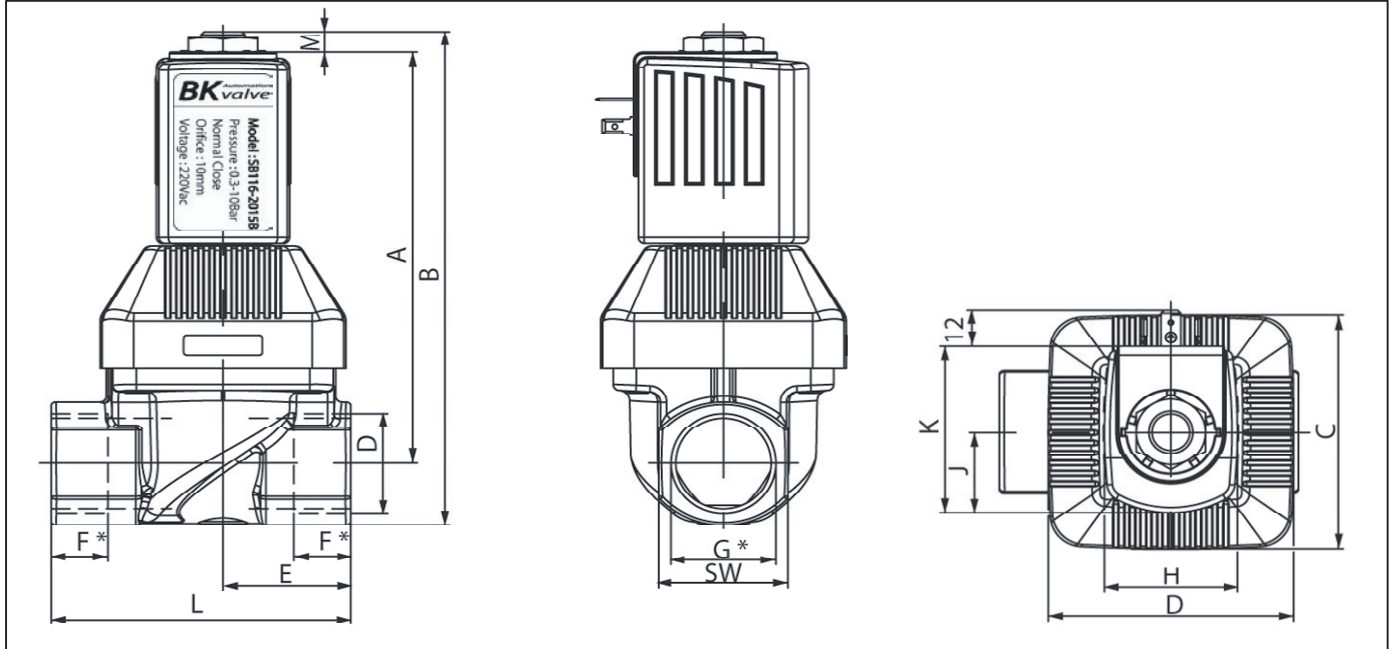
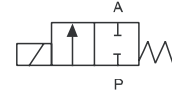
\* Response times 0.5 - 1 seconds( depending on orifice and differential pressure )

\* *Direct Acting Can work at ZERO pressure*

ITEM-NO.	Orifice (mm)	Port Connect (inch)	Kv-value Water (M <sup>3</sup> /h)	Seal material	Operating Pressure (Bar)
SB116-2008A	10	G1/4	2	NBR	0 - 10
SB116-2010A	10	G3/8	2	NBR	0 - 10
SB116-2015A	10	G1/2	3.6	NBR	0 - 10
SB116-2015-14A	14	G1/2	8.3	NBR	0 - 10
SB116-2020A	14	G3/4	8.3	NBR	0 - 10
SB116-2020-20A	20	G3/4	4.8	NBR	0 - 10
SB116-2025B	20	G1	4.8	NBR	0 - 10

## SB116 - A

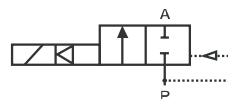
2/2 Way Solenoid Valve. Normally closed,  
Direct acting , diaphragm structure , can work at zero Port sizes 1/4" to 1"



**OVERALL DIMENSIONS :**

Model A	(G)	D	C	F	L	SW	A	B	H
SB116-2008B	G1/4	38	38	14	50	26	71	85	40
SB116-2010B	G3/8	38	38	14	50	26	71	85	40
SB116-2015B	G1/2	38	38	14	50	26	71	85	40
SB116-2015-14B	G1/2	45	45	16	58	31	82	96	40
SB116-2020B	G3/4	45	45	16	58	31	82	96	40
SB116-2020-20B	G3/4	65	65	18	82	41	96	117	40
SB116-2025B	G1	65	65	18	82	41	96	117	40

# BK VALVE



## SB116 - B

Diaphragm Port sizes 1/4" to 2"



Can be used below 90°C

Can be used for gas, water, oil products,

weak acid and alkali

Low noise: no impingement shock and vibration sound

Smooth running, large flow

High reliability, long life

Thermosetting plastic full cladding

Coil model : BD-A-3

Thermosetting plastic encapsulating

Plug conforms with ISO standard

IP 65 protection class with plug

### Order Code

**SB116**

2 way valve  
Servo operated

**20**

20 - Type  
Normal Pressure

40 - Type  
High temperature

50 - Type  
High pressure

**15**

Connection  
port  
08:1/4"  
10:3/8"  
15:1/2"  
20:3/4"  
25:1"  
32:1 1/4"  
40:1 1/2"  
50:2"

**B**

**A** : Direct Acting  
**B** : Servo operated

**\***

Power Voltage  
Coil AC 24 V  
Coil AC 36 V  
Coil AC 110 V  
Coil AC 220 V  
Coil DC 12 V  
Coil DC 24 V

\* Servo operated Can work at pressure 0.03 Mpa for G1/4" to G 1"  
and work at pressure 0.07 Mpa for G 1 1/4" to G2 "

Ambient Temperature -10°C + 55°C

Medium Temperature -10oC + 90oC : brass body :seal material NBR

\* Response times 0.33 - 1 seconds( depending on orifice and differential pressure )

\* Direct Acting Can work at ZERO pressure

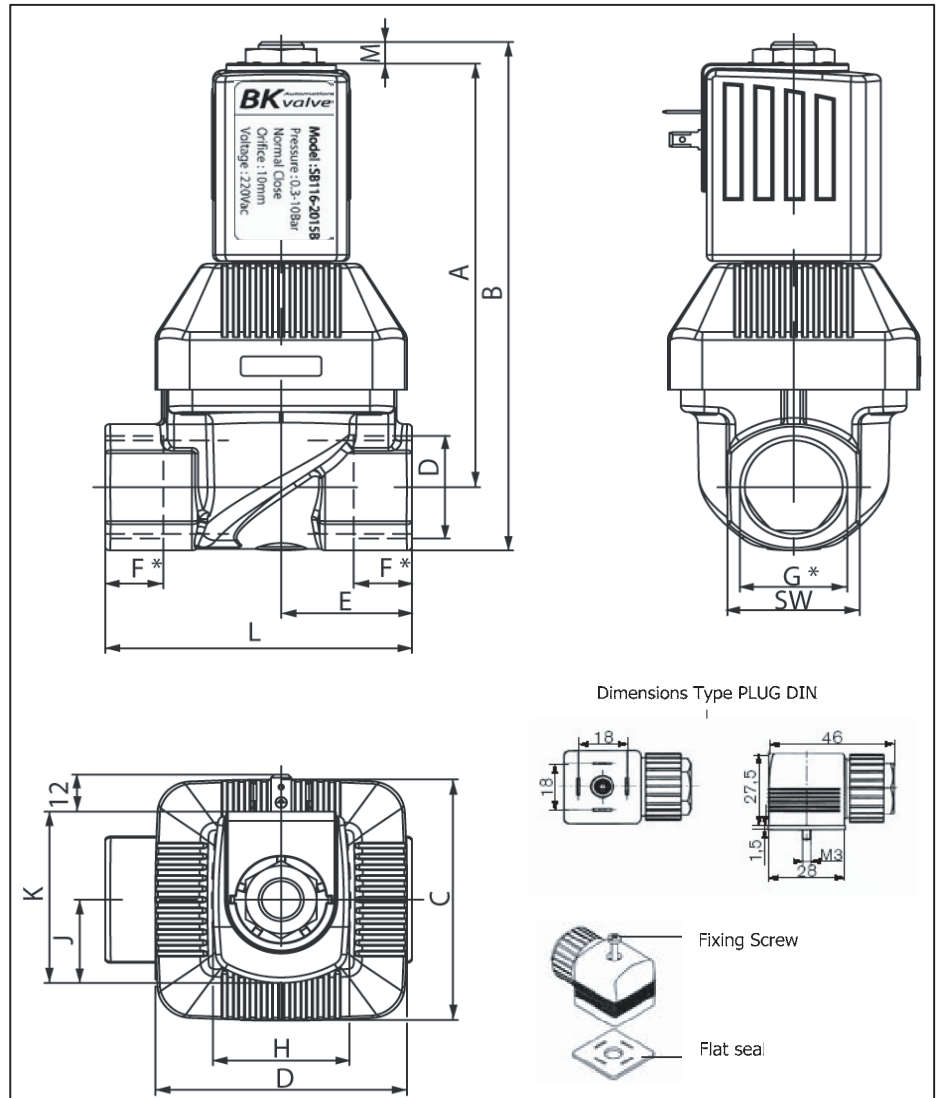
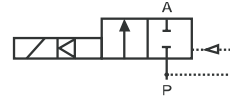
ITEM-NO.	Orifice (mm)	Port Connect (inch)	Kv-value Water (M <sup>3</sup> /h)	Seal material	Operating Pressure (Bar)
SB116-2008B	10	G1/4	2	NBR	0.3 - 10
SB116-2010B	10	G3/8	2	NBR	0.3 - 10
SB116-2015B	10	G1/2	3.6	NBR	0.3 - 10
SB116-2015-14B	14	G1/2	8.3	NBR	0.3 - 10
SB116-2020B	14	G3/4	8.3	NBR	0.3 - 10
SB116-2020-20B	25	G3/4	11	NBR	0.3 - 10
SB116-2025B	25	G1	11	NBR	0.3 - 10
SB116-2032B	40	G1 1/4	25	NBR	0.7 - 10
SB116-2040B	40	G1 1/2	30	NBR	0.7 - 10
SB116-2050B	50	G2	45	NBR	0.7 - 10



# BK VALVE

## SB116 - B

2/2 Way Solenoid Valve. Normally closed,  
Diaphragm Port sizes 1/4" to 2"



**OVERALL DIMENSIONS :**

Model B	(G)	D	C	F	L	SW	A	B	H
SB116-2008B	G1/4	38	38	14	50	26	71	85	35
SB116-2010B	G3/8	38	38	14	50	26	71	85	35
SB116-2015B	G1/2	38	38	14	50	26	71	85	35
SB116-2015-14B	G1/2	45	45	16	58	31	82	96	35
SB116-2020B	G3/4	45	45	16	58	31	82	96	35
SB116-2020-20B	G3/4	65	65	18	82	41	96	117	35
SB116-2025B	G1	65	65	18	82	41	96	117	35
SB116-2032B	G1 1/4	96	96	20	132	58	112	145	35
SB116-2040B	G1 1/2	96	96	20	132	58	112	145	35
SB116-2050B	G2	111	111	22	160	70	125	166	35

**Model :SB116-2015B** — TYPE

Pressure :0.3-10Bar — Nominal pressure

Normal Close — Operating principle

Orifice : 10mm — Orifice

Voltage : 220Vac — Input Voltage

**S B 1 1 6 180°C High temperature**

2/2 Way Solenoid Valve. Normally closed,  
Diaphragm Port sizes 1/4" to 1"



**Innovation : The fluid temperature may arrive 180oC**

**The piston type structure runs smoothly  
with long life  
Low pressure start-up**

**Applicable for steam, hot air, multiple fluids with the  
kinematic coefficient of viscosity 1 mm<sup>2</sup>/s**

**IP65 protection system  
After the renewal of the pilot head and coil, it may be**

**Coil model : BD-A-3  
Thermosetting plastic encapsulating  
Plug conforms with ISO standard  
IP 65 protection class with plug**

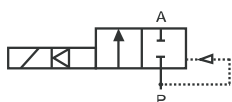
Ambient Temperature -20°C + 55°C

Medium Temperature 0°C + 180°C : brass body : seal material NBR

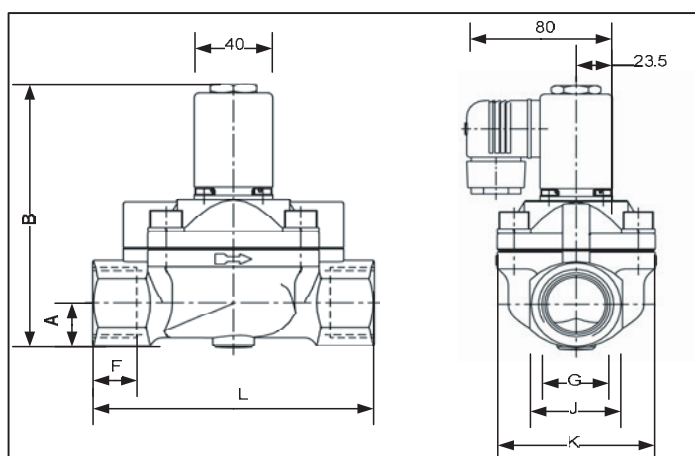
\* Response times 0.5 - 1 seconds( depending on orifice and differential pressure )

ITEM-NO.	Orifice (mm)	Port Connect (inch)	Kv-value Water (M <sup>3</sup> /h)	Seal material	Operating Pressure (Mpa)
SB116-4008	8	G1/4	3.6		0.05-1.6
SB116-4010	10	G3/8	3.6		0.05-1.6
SB116-4015	13	G1/2	3.6		0.05-1.6
SB116-4020	25	G3/4	11		0.05-1.6
SB116-4025	25	G1	11		0.05-1.6

**SYMBOL :**



**OVERALL DIMENSIONS :**



Model	(G)	F	J	K	L	E	B	A
SB116-4008B	<b>G1/4</b>	12	40	34	65	24	97	16
SB116-4010B	<b>G3/8</b>	12	40	34	65	24	97	16
SB116-4015B	<b>G1/2</b>	12	40	34	65	24	97	16
SB116-4020B	<b>G3/4</b>	16	40	60	90	45	124	20
SB116-4025B	<b>G1</b>	18	40	60	90	45	124	20

## SB 116 High Pressure 5 Mpa ( 50 Bar )

2/2 Way Solenoid Valve. Normally closed,  
Diaphragm Port sizes 1/4" to 1"



The operating pressure may arrive 5 Mpa

Applicable for various fluid such as water, air, acetylene liquefied gas etc. with the kinematic coefficient of viscosity 1 mm<sup>2</sup>/s

Applicable for steam, hot air, multiple fluids

Piston structure ,smooth starting, Hight reliability

IP65 protection system

After the renewal of the pilot head and coil, it may be

Coil model : BD-A-3

Thermosetting plastic encapsulating

Plug conforms with ISO standard

IP 65 protection class with plug

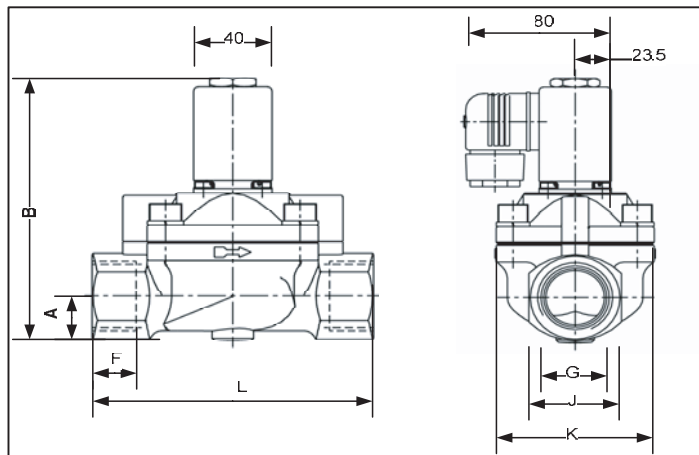
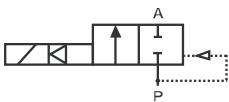
Ambient Temperature -20°C + 55°C

Medium Temperature 0°C + 90°C : brass body : seal material

\* Response times 0.5 - 1 seconds( depending on orifice and differential pressure )

ITEM-NO.	Orifice (mm)	Port Connect (inch)	Kv-value Water (M <sup>3</sup> /h)	Seal material	Operating Pressure (Mpa)
SB116-5008	8	G1/4	3.6		0.3-5.0
SB116-5010	10	G3/8	3.6		0.3-5.0
SB116-5015	13	G1/2	3.6		0.3-5.0
SB116-5020	20	G3/4	11		0.3-3.5
SB116-5025	25	G1	11		0.3-3.5

SYMBOL :



OVERALL DIMENSIONS :

Model	(G)	F	J	K	L	E	B	A
SB116-4008B	G1/4	12	40	34	65	24	97	16
SB116-4010B	G3/8	12	40	34	65	24	97	16
SB116-4015B	G1/2	12	40	34	65	24	97	16
SB116-4020B	G3/4	16	40	60	90	45	124	20
SB116-4025B	G1	18	40	70	116	58	123	20.5

## CS-720/CS2000 Electronic Drain Valve

2/2 Way Solenoid Valve. Normally closed,  
Port sizes 1/2"



**Timer and Coil Voltage 24~240 DC/AC 50/60Hz**

**Model Timer is water and dust protected to IP65  
Direct operated brass valve body . Sealing NBR**

**Adjustment for all operation. See manual**

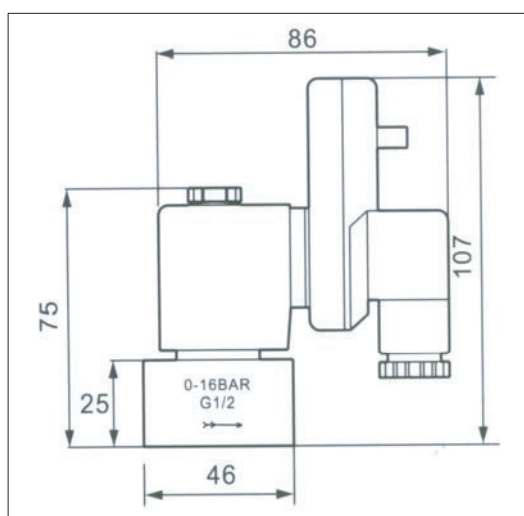
The timer and patent valve made from imported highquality components may automatically control the on/off of valves according to the fixed time,suitable for automatic drain drain at air stations and automatic irrigation in gardening systems.

### OVERALL DIMENSIONS :

Model		
CS2000	G1/2	See Drawing
CS720		

### Technical data Timer

	CS-720	CS-2000
Valve Body	Bress ( Standard type )	
<b>Time range for adjust</b>		
ON time	<b>0.5 - 10 sec.</b>	<b>0.5 - 99 sec.</b>
OFF time	<b>0.5 - 45 min</b>	<b>0.5 - 99 min</b>
<b>Power supply Voltage</b>		
AC supply	up to 24-240 VAC 50/60Hz	
DC supply	up to 24-240 VDC	
control Switch	Dry contact	
conection	DIN 43650A	
<b>adjustment</b>		
CS-2000	display Count down ON and OFF time	
CS-720	Manual adjustment	
Protection	water and dust protected to IP65 (IEC947C)	
Ambient Temperature	-20° C ~ + 60° C	
TEST manual	Micro Switch	



Medium Temperature 0°C + 90°C : brass body :seal material

IP 65 protection class with plug

ITEM-NO.	Orifice (mm)	Port Connect (inch)	Kv-value Water (M <sup>3</sup> /h)	Seal material	Operating Pressure (Mpa)
CS2000	4.5	G1/2			0-1.6
CS720	4.5	G1/2			0-1.6

\* Filter ball valve can be installed before drainer to avoid block

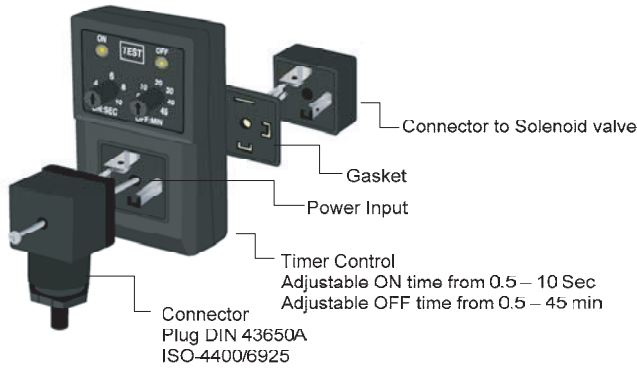
\* Direct Acting Can work at ZERO pressure

## CS-720/CS-2000 Electronic Drain Valve

2/2 Way Solenoid Valve. Normally closed,  
Port sizes 1/2"

### Connector Timer Control Model: XY720

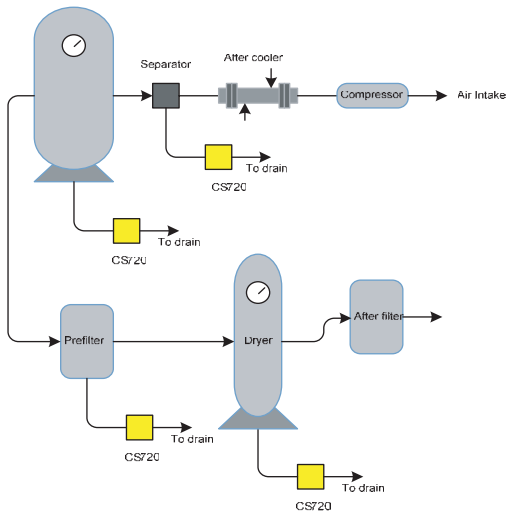
Timer Control Connectors comply with Europe standard DIN43650A/B/C



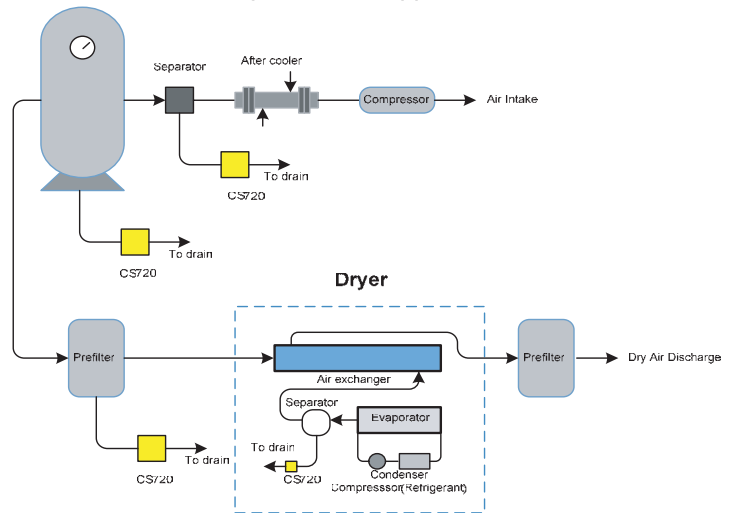
XY720  
Thermosetting plastic encapsulating  
Plug conforms with ISO standard  
IP 65 protection class with plug

### System Install to Drain Valve CS720

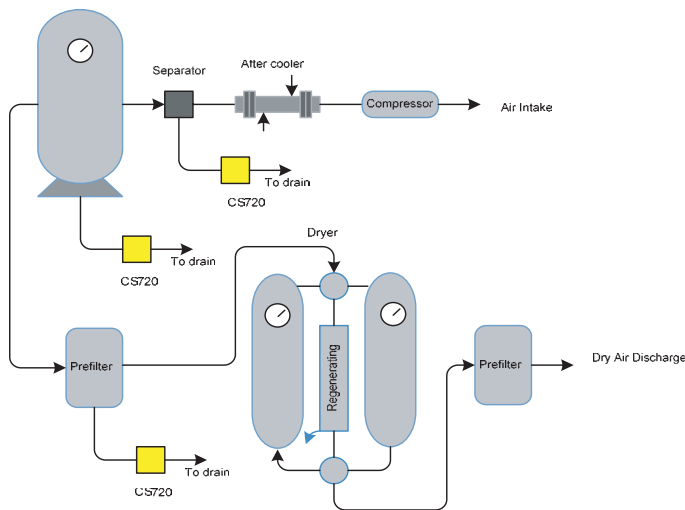
Compressed Air Application



Compressed air system with deliquescent dryer



Compressed air system with refrigeration dryer



Compressed air system with desiccant refrigeration dryer

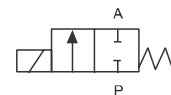


#### Comforming to CE standard

Full automatic without the need of maintenance. Suitable for automatic discharge of condense water in many occasions and automatic irrigation system.

## PU 220 Zero Operation

2/2 Way Solenoid Valve. Normally closed,  
Diaphragm Port sizes 1/8" to 1"

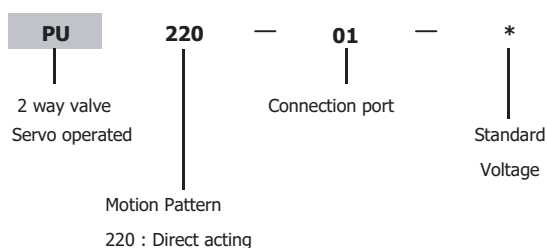


**Compact and good appearance**

**Direct acting , diaphragm structure , can work at zero pressure**

**Coil made from H class wire , thermosetting plastic encapsulating**

**Reach IP65 protection class with plug  
High reliability, long life**



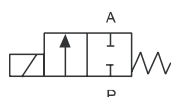
Ambient Temperature  $-5^{\circ}\text{C} + 80^{\circ}\text{C}$

Medium Temperature  $0^{\circ}\text{C} + 90^{\circ}\text{C}$  : brass body

\* Response times 0.5 - 1 seconds( depending on orifice and differential pressure )

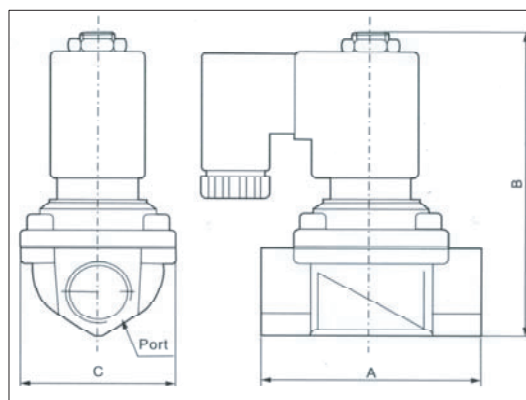
ITEM-NO.	Orifice (mm)	Port Connect (inch)	Cv-value Water (M <sup>3</sup> /h)	Seal material	Operating Pressure (Mpa)
PU220-01	1.5	G1/8	0.1	NBR	0 - 0.7
PU220-02	2.3	G1/4	0.18	NBR	0 - 0.7
PU220-03	8	G3/8	1	NBR	0 - 0.7
PU220-04	13	G1/2	4	NBR	0 - 0.7
PU220-06	20	G3/4	8.6	NBR	0 - 0.7
PU220-08	25	G1	11	NBR	0 - 0.7

**SYMBOL :**



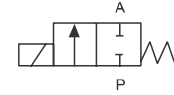
**OVERALL DIMENSIONS :**

Model	(G)	A	B	C
PU220-01	G1/8	22	72	22
PU220-02	G1/4	35	76	25.4
PU220-03	G3/8	55	80	30
PU220-04	G1/2	67	101	48
PU220-06	G3/4	71	107	48
PU220-08	G1	96	120	70



## 2 W Zero Operation

2/2 Way Solenoid Valve. Normally closed,  
Diaphragm Port sizes 1/8" to 2"

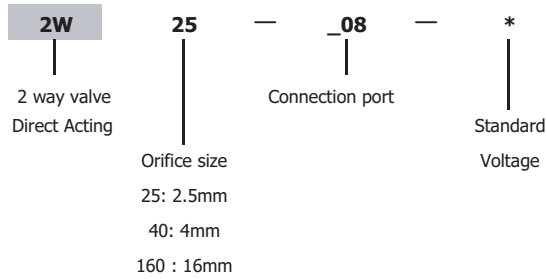


Can change to pin type coil

Direct acting , diaphragm structure , can work at zero pressure

Solenoid valve good shape, large flow

Can be used for gas, water, oil products,  
High reliability, long life



Ambient Temperature -5°C + 80°C

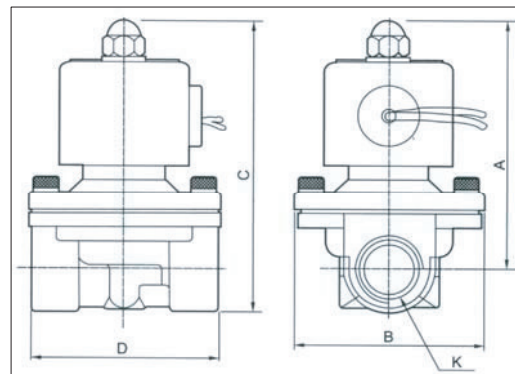
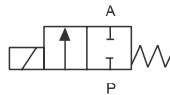
Medium Temperature 0°C + 90°C : brass body

ITEM-NO.	Orifice (mm)	Port Connect (inch)	CV-valve Water	Seal material	Operating Pressure (Mpa)
2W025-06	2.5	G1/8	0.23	NBR	0 - 0.7
2W025-08	2.5	G1/4	0.23	NBR	0 - 0.7
2W040-10	4	G3/8	0.6	NBR	0 - 0.7
2W160-10	16	G3/8	4.8	NBR	0 - 0.7
2W160-15	16	G1/2	4.8	NBR	0 - 0.7
2W200-20	20	G1	7.6	NBR	0 - 0.7
2W250-25	25	G1	12	NBR	0 - 0.7
2W350-35	35	G1 1/4	24	NBR	0 - 0.7
2W400-40	40	G1 1/2	29	NBR	0 - 0.7
2W500-50	50	G2	48	NBR	0 - 0.7

### OVERALL DIMENSIONS :

Model	(G)	A	B	C	D
2W025-06	G1/8	66	30	75	41
2W025-08	G1/4	66	30	75	41
2W040-10	G3/8	72.5	32	83.5	55
2W160-10	G3/8	93	56	106	69
2W160-15	G1/2	93	56	106	69
2W200-20	G1	100	55	117	73
2W250-25	G1	104	78	125	99
2W350-35	G1 1/4	141	93	172	124
2W400-40	G1 1/2	141	93	172	124
2W500-50	G2	157	124	195	172

### SYMBOL :





# BK VALVE

## 0927 Series, 0955 Series

2/2 Way Solenoid Valve. Normally closed,  
Diaphragm Port sizes 1/4" to 2"



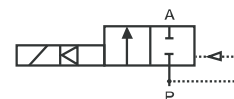
Compact and good appearance

Normal open ( 0955 series ) and Normal close ( 0927 series )

Diaphragm structure, big orifice, big flow rate

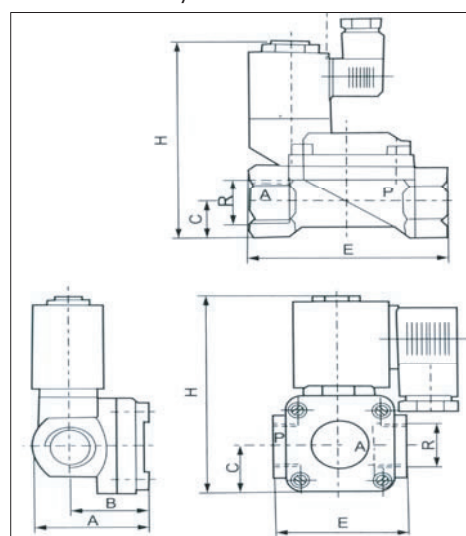
Ambient Temperature  $-5^{\circ}\text{C} + 50^{\circ}\text{C}$

Medium Temperature  $0^{\circ}\text{C} + 80^{\circ}\text{C}$  : brass body : seal material



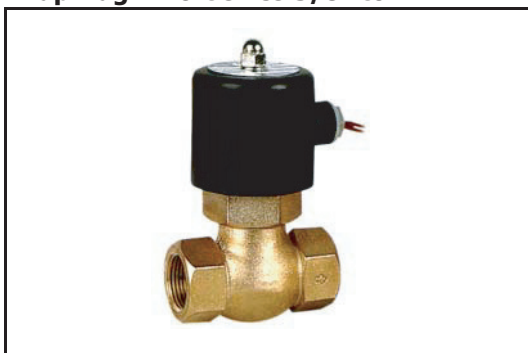
### OVERALL DIMENSIONS :

Model	(G)	A	B	C	E	H	Pressure (Bar)
927000.0201	G1/4	47	33.5	22	55	113	0.07~16
955105.0201	G1/4	47	33.5	22	55	101	0.07~16
927100.0201	G3/8	47	33.5	22	55	113	0.07~16
955205.0201	G3/8	47	33.5	22	55	101	0.07~16
927200.0201	G1/2	47	33.5	22	55	113	0.07~16
955305.0201	G1/2	47	33.5	22	55	101	0.07~16
927300.0201	G3/4	66	45.5	30	81	130	0.07~16
955405.0201	G3/4	66	45.5	30	81	118	0.07~16
927400.0201	G1	66	45.5	30	91	130	0.07~16
955505.0201	G1	66	45.5	30	91	118	0.07~16
927500.0201	G1 1/4	92.5	47	33.5	132	157	0.1~16
955605.0201	G1 1/4	92.5	47	33.5	132	145	0.1~16
927600.0201	G1 1/2	92.5	47	33.5	132	157	0.1~16
955705.0201	G1 1/2	92.5	47	33.5	132	145	0.1~16
927700.0201	G2	112	55	39.5	160	176	0.1~16
955805.0201	G2	112	55	39.5	160	165	0.1~16



## 2 L For Steam temperature : $-5 - 180^{\circ}\text{C}$

2/2 Way Solenoid Valve. Normally closed,  
Diaphragm Port sizes 3/8" to 2"

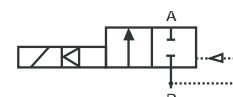


Adopting pointed structure with self-sealing  
compensation lengthens the service life of this valve

Solenoid magnetic field design can make this product  
have higher pressure

Solenoid valve good shape, large flow

The balance of the piston gap design enhances the  
reliable application of this valve in high temperature

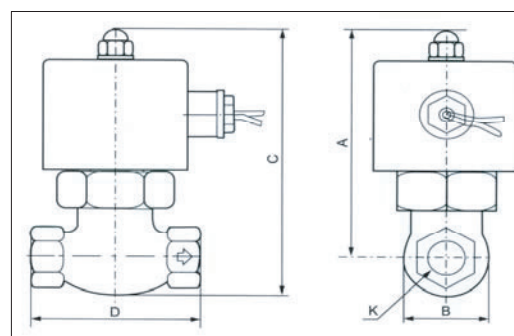


Ambient Temperature  $-5^{\circ}\text{C} + 80^{\circ}\text{C}$

Medium Temperature  $0^{\circ}\text{C} + 90^{\circ}\text{C}$  : brass body : seal material

### OVERALL DIMENSIONS :

Model	(G)	A	B	C	D	Pressure	Seal
2L170-10	G3/8	125	42	146	82	0.1 - 1.5	PTFE
2L170-15	G1/2	125	42	146	82	0.1 - 1.5	PTFE
2L170-20	G3/4	125	42	146	82	0.1 - 1.5	PTFE
2L200-25	G1	136	52	162	90.5	0.1 - 1.5	PTFE
2L300-35	G1 1/4	148	74	185	111	0.1 - 1.5	PTFE
2L300-40	G1 1/2	148	74	183	111	0.1 - 1.5	PTFE
2L500-50	G2	176	94.5	223	163	0.1 - 1.5	PTFE





**NBR**

*high mechanical durability  
resistant to oil and grease  
tight shut-off  
temperature range: -20°C (-40°C) to +90°C  
fluids: water, fuel, mineral oil, air, argon, town gas, methane,  
propane, buthane*

**FPM**

*excellent chemical resistance  
mechanical durability lower than NBR or EPDM  
tight shut-off  
temperature range: -40°C to +200°C  
fluids: hot and oiled air, acids, lyes and  
other fluids that do not allow use of NBR or EPDM*

**EPDM**

*resistant to acids and lyes of medium concentration  
**non-resistant to oil**  
tight shut-off  
temperature range: -20°C to +130°C  
fluids: hot water, wet steam, ozone, ethylene and  
methylene, alcohol, acids and lyes*

**PTFE**

*resistant to almost all chemicals  
non-resilient, shut-off with slight leakage  
temperature range: -200°C to +250°C  
fluids: various chemicals, refrigerants, ammonia, dry steam*

**Distributor By :**

**Pneuma System co.,ltd** [www.pneuma.co.th](http://www.pneuma.co.th)

14/10 Moo 8 Lardprao Lardprao Bangkok Thailand10230  
TEL.0-2538 -2883,0-2932-0368 FAX.0-2932-0370

[www.bkvalve.com](http://www.bkvalve.com) mail.katatheponsri@hotmail.com

**BKVALVE**

Please read the instruction manual carefully and keep for future reference.  
Only properly instructed persons disassemble or assemble the actuator