



NK Series Vibrator

138



KA Series Check Valve

139



SE Series Speedy Exhaust Valve

140



KLA Series Flow Rate Control

141



RE Flow Capacity Control Valve, ST Series Shuttle Valve

142

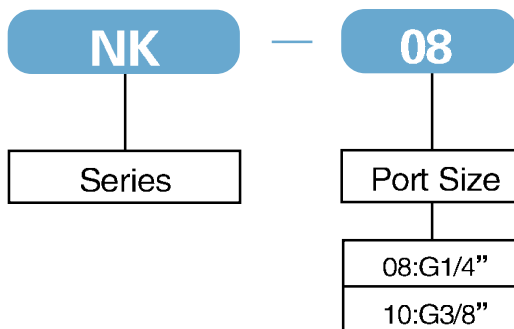
Vibrator

Specification:

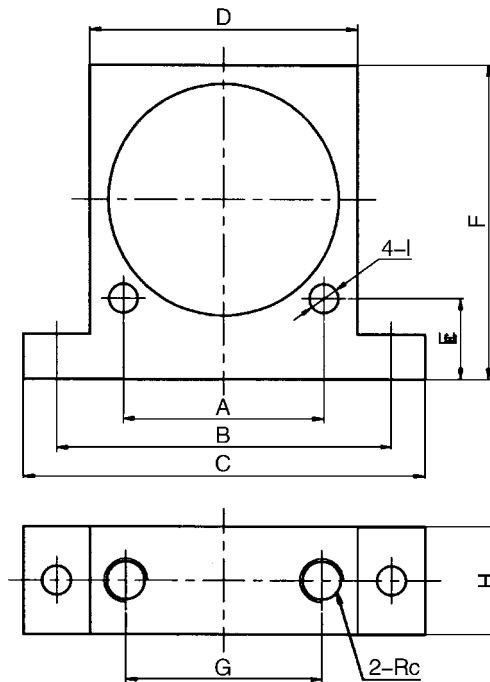
Type	NK-08	NK-10
Port size(G)	1/4"	3/8"
Operating pressure range (Mpa)	0.15~0.8	
Temperature range °C	-5~60	



How to order:



Dimension(mm):



Type	Medium	Working pressure range Mpa	A	B	C	D	E	F	G	H	I	Rc
NK-08	Air	0.2~1	45	75	90	60	18	70	44	24	6.5	G1/4"
NK-10			70	105	120	88	20	100	65	32	7	G3/8"

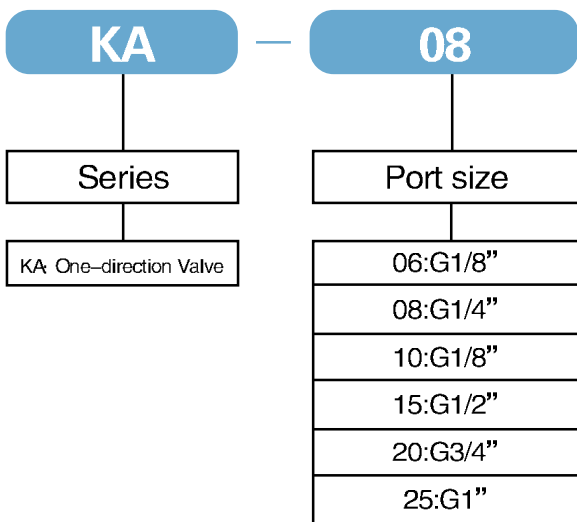
Check Valve



Specification:

Type	KA-06	KA-08	KA-10	KA-15	KA-20	KA-25
Fluid	Air					
Calibre Code	06	08	10	15	20	25
Port size(G)	G1/8"	G1/4"	G3/8"	G1/2"	G3/4"	G1"
Operating pressure(Mpa)	0.2-0.8					
Ambient temperature °C	-5-60					

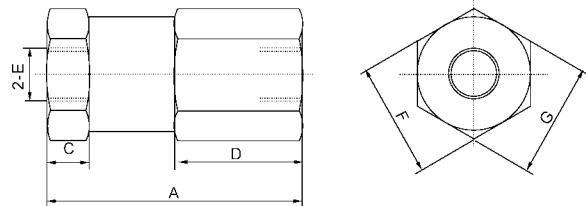
How to order:



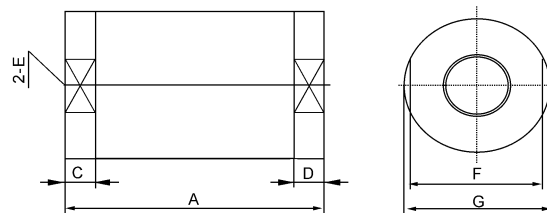
Dimension(mm):



KA-06、08



KA-10、15、20、25



Type	A	C	D	E	F	G
KA-06	48	8	24	G1/8"	21	21
KA-08	48	8	24	G1/4"	21	21
KA-10	68.5	8	8	G3/8"	32	φ 35
KA-15	68.5	8	8	G1/2"	32	φ 35
KA-20	95.5	8	8	G3/4"	47	φ 50
KA-25	95.5	8	8	G1"	47	φ 50

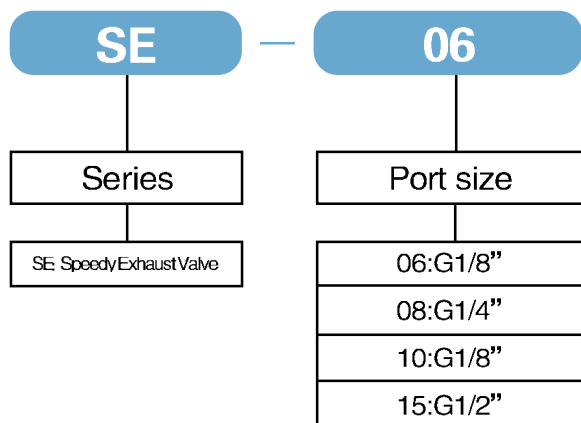
Speedy Exhaust Valve



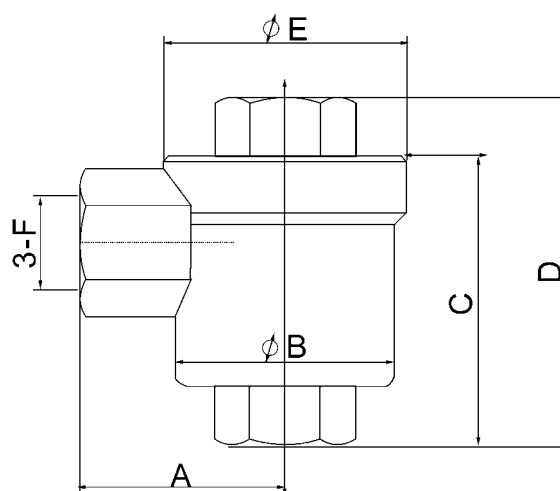
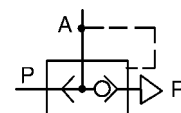
Specification:

Type	SE-06	SE-08	SE-10	SE-15
Fluid	Air			
Calibre Code	06	08	10	15
Port size(G)	G1/8"	G1/4"	G3/8"	G1/2"
Operating pressure(Mpa)	0.2-0.8			
Ambient temperature °C	-5-60			

How to order:



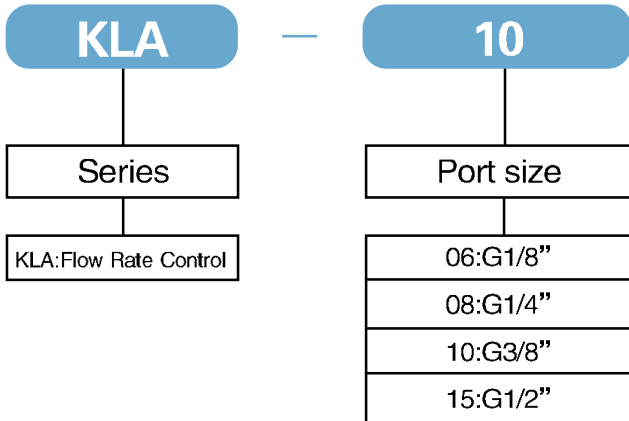
Dimension(mm):



Type	A	B	C	D	E	F
SE-06	27	30	42	50	φ 32	G1/8"
SE-08	27	30	42	50	φ 32	G1/4"
SE-10	36	41	51	62	φ 45	G3/8"
SE-15	44	48	64	76	φ 55	G1/2"

Flow Rate Control

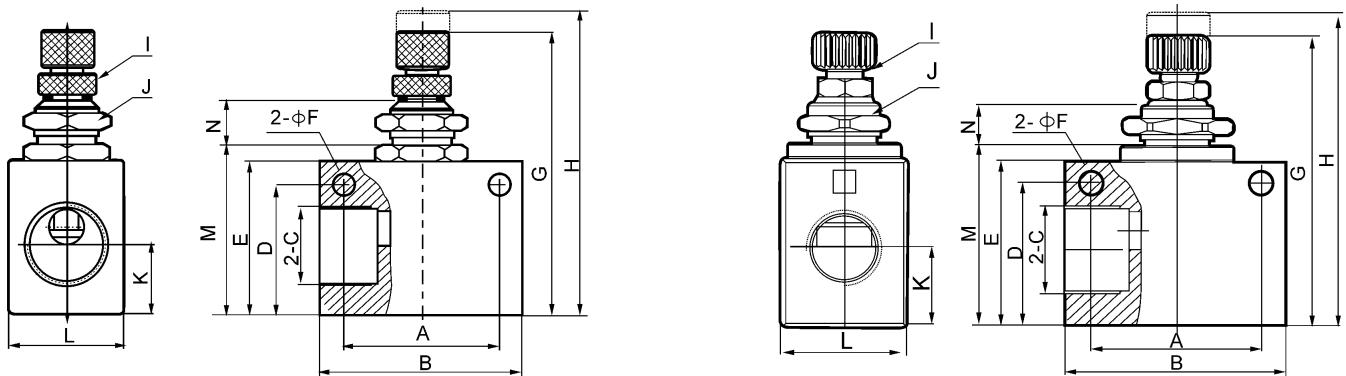
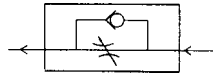
How to order:



Specification:

Type	KLA-06	KLA-08	KLA-10	KLA-15
Fluid	Air			
Portsize(G)	1/8"	1/4"	3/8"	1/2"
Operating pressure(Mpa)	0.05~0.95			
Ambient temperature °C	-5~60			
Material	Aluminum alloy			

Dimension(mm):

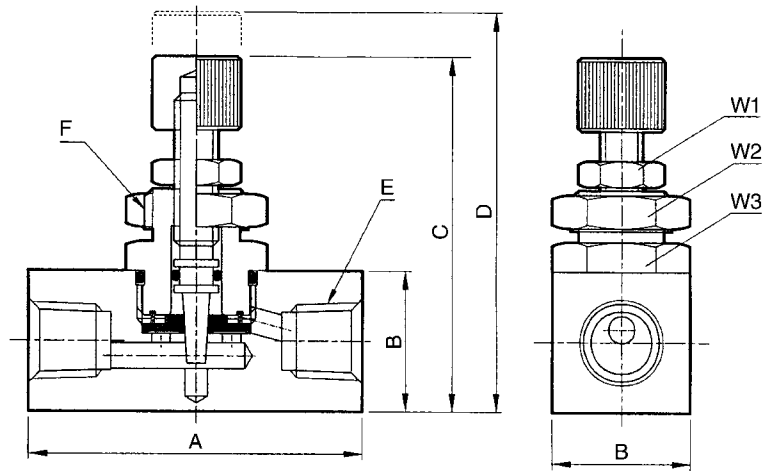
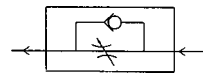


Type	A	B	C	D	E	F	G	H	I	J	K	L	M	N
KLA-06	26	36	G1/8"	23	27	4.3	50.8	56.3	M6 × 0.5	M12 × 0.75	13.5	18	30	8.6
KLA-08	26	36	G1/4"	23	27	4.3	50.8	56.3	M6 × 0.5	M12 × 0.75	13.5	18	30	8.6
KLA-10	35	50	G3/8"	32	37	5.3	65	74	M8 × 0.75	M16 × 1	17.5	28	40	10.2
KLA-15	35	50	G1/2"	32	37	5.3	65	74	M8 × 0.75	M16 × 1	17.5	28	40	10.2

RE Flow capacity control valve



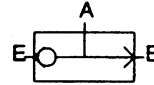
Dimension:



Item No.	A	B	C	D	E	F	W1	W2	W3
RE-06	45	19	46	53	G1/8	M14 × 1	11	17	17
RE-08	45	19	46	53	G 1/4	M14 × 1	11	17	17
RE-10	55	25	52	59	G3/8	M18 × 1	11	17	23
RE-15	55	25	52	59	G 1/2	M18 × 1	11	17	23

ST Shuttle valve

Dimension:



■ ST-06、08

