



3L、4L Series Hand Pull Valve

124

S Series Hand Pull Valve

126

4H Series Hand Valve

128

HSV Series Hand Slade Valve

130

HV Series Hand Lever Valve

131

MOV Series Mechanical Valve

132

JM Series Mechanical Valve

133

JMJ Series Mechanical Valve

134

FV Series foot Valve

135

4F Series foot Valve

136

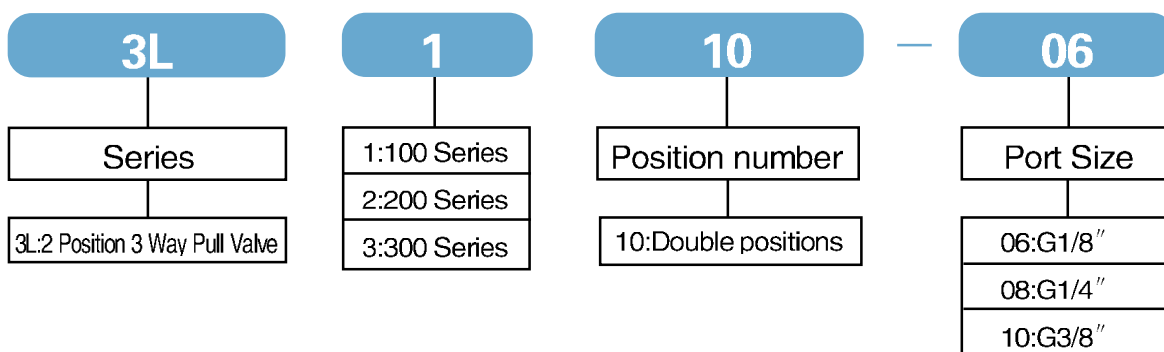
Hand Valve

Specification:

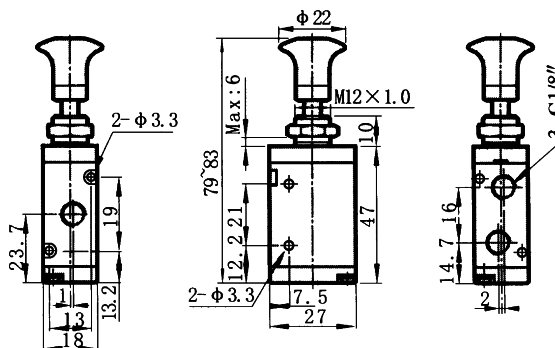
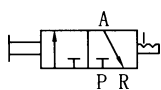
Type	3L110-06	3L210-08	3L310-10
Medium	Air		
Position number	2 Position 3 Way		
Port size(G)	1/8"	1/4"	3/8"
Valid mm ² (Cv)	12(0.67)	16(0.89)	30(1.67)
Applicable pressure(MPa)	0.2-0.8		
Ambient temperature range	-5~60°C		



How to order:

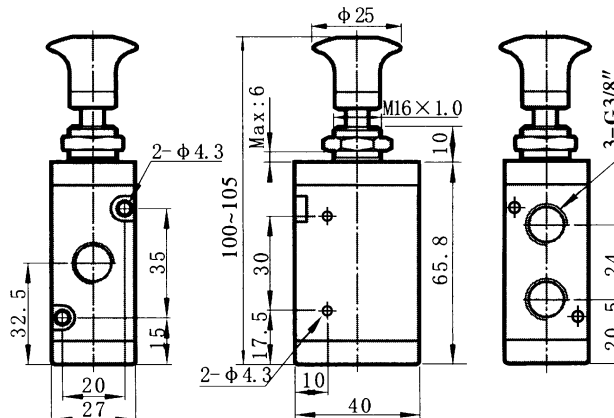
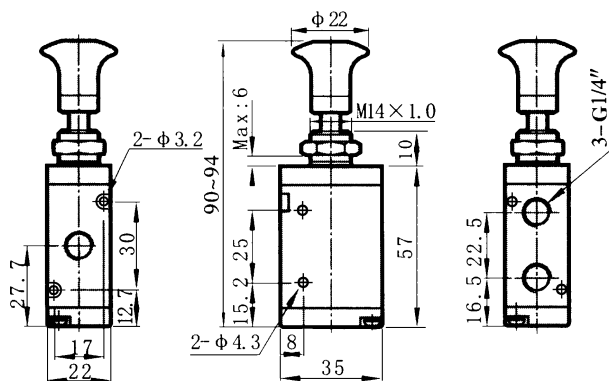


Dimension(mm): ■ 3L110



■ 3L210

■ 3L310



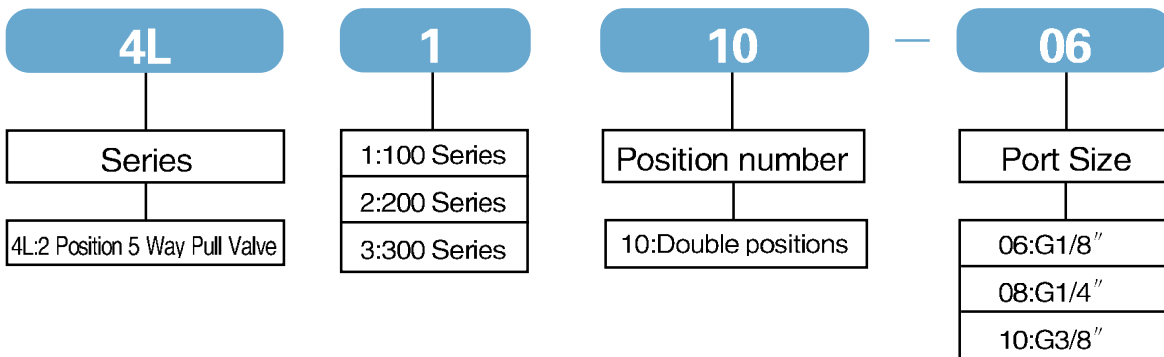
Hand Valve

Specification:

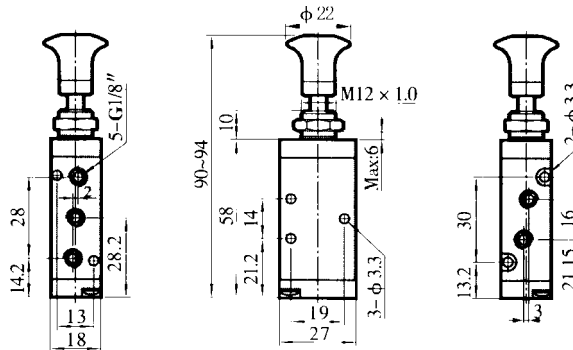
Type	4L110-06	4L210-08	4L310-10
Medium	Air		
Position number	2 Position 5 Way		
Port size(G)	1/8"	1/4"	3/8"
Valid mm ² (Cv)	12(0.67)	16(0.89)	30(1.67)
Applicable pressure(MPa)	0.2-0.8		
Ambient temperature range	-5~60°C		



How to order:

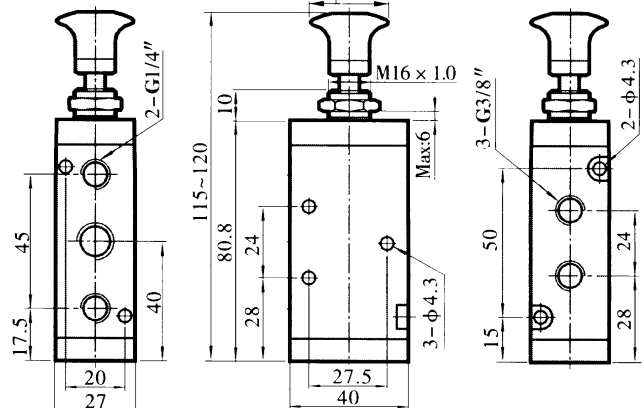
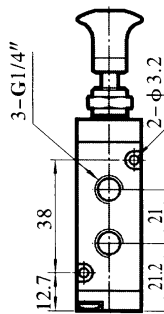
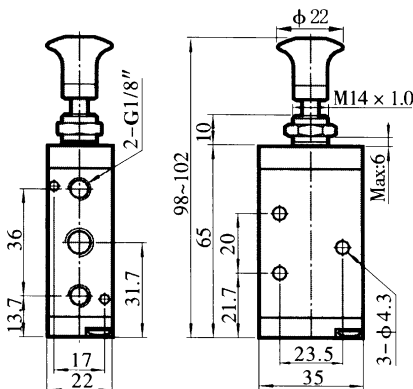


Dimension(mm): ■ 4L110



■ 4L210

■ 4L310

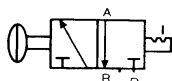


Hand Valve

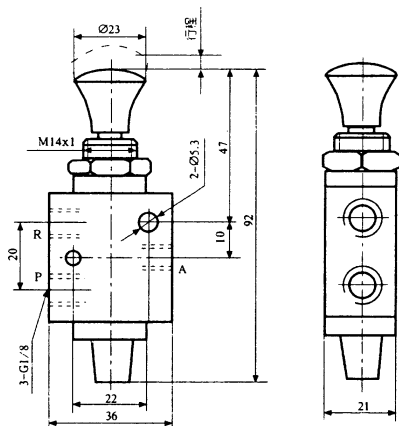
Specification:

Type	S230605A	S230805A	S230805	S231505
Acting type	2 position 5 way			
Port size G	1/8"	1/4"	1/2"	
Fluid	Air			
Ambient temperature	-5~60°C			
Operating pressureMpa	0.2-0.8			

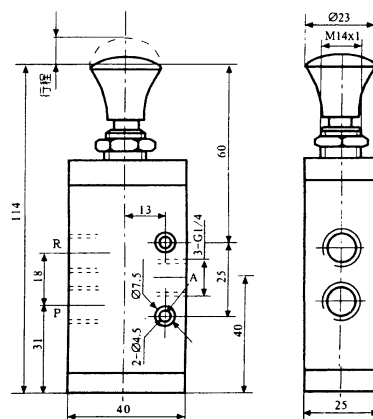
Dimension(mm):



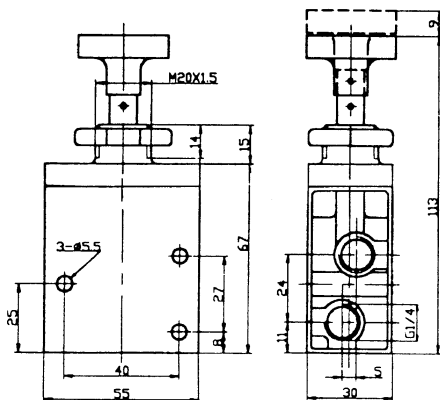
■ S230605A



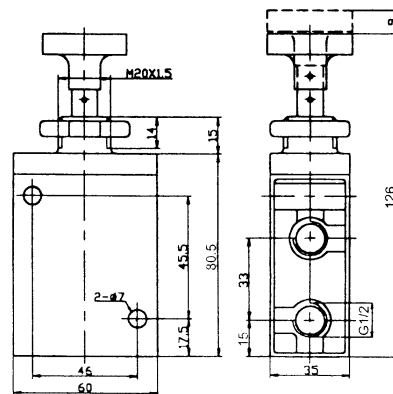
■ S230805A



■ S230805



■ S231505

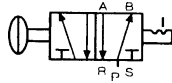


Hand-draw Valve

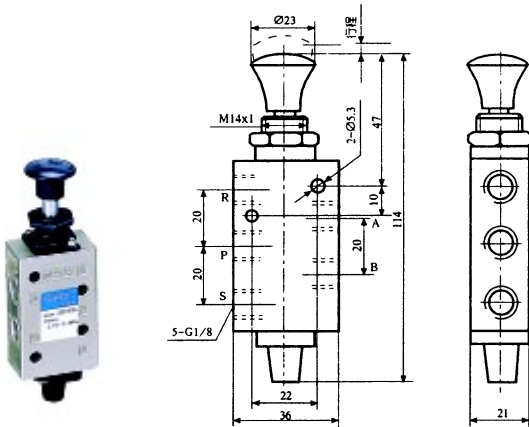
Specification:

Type	S250605A	S250805A	S250805	S251505
Acting type	2 position 5 way			
Port size G	1/8"	1/4"	1/2"	
Fluid	Air			
Ambient temperature	-5~60°C			
Operating pressureMpa	0.2-0.8			

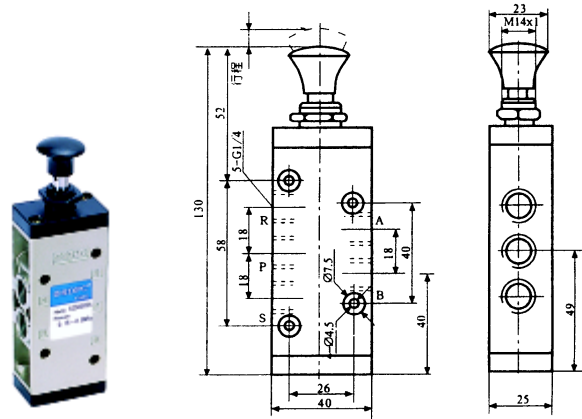
Dimension(mm):



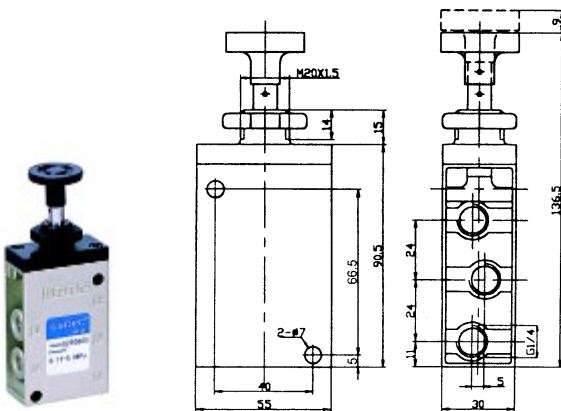
S250605A



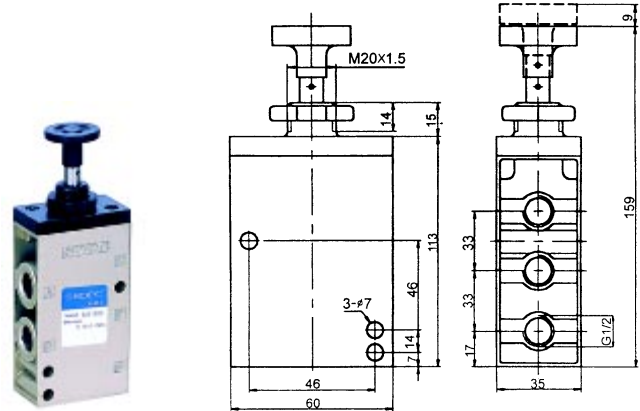
S250805A



S250805



S251505



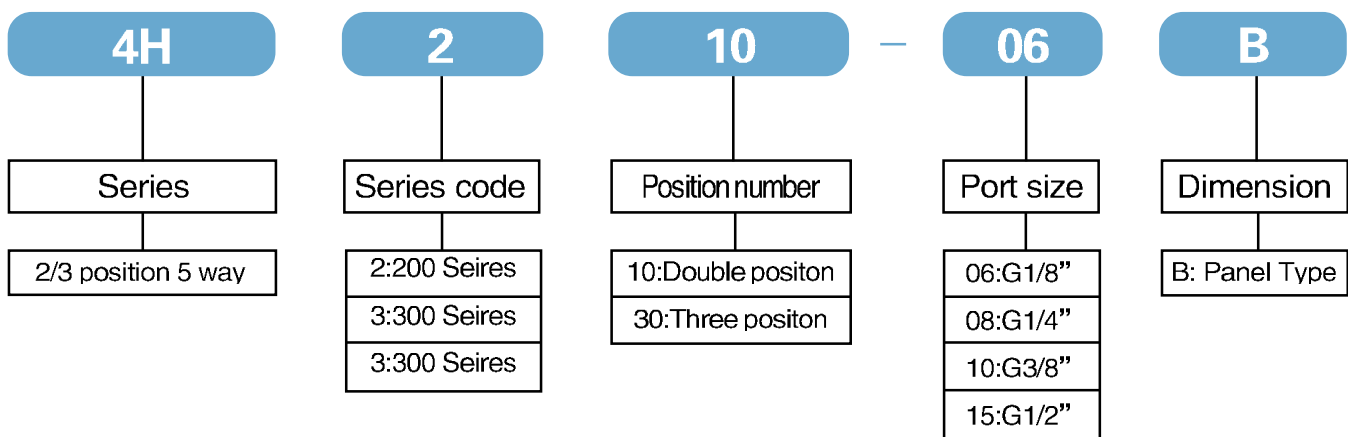
Hand-pull Valve



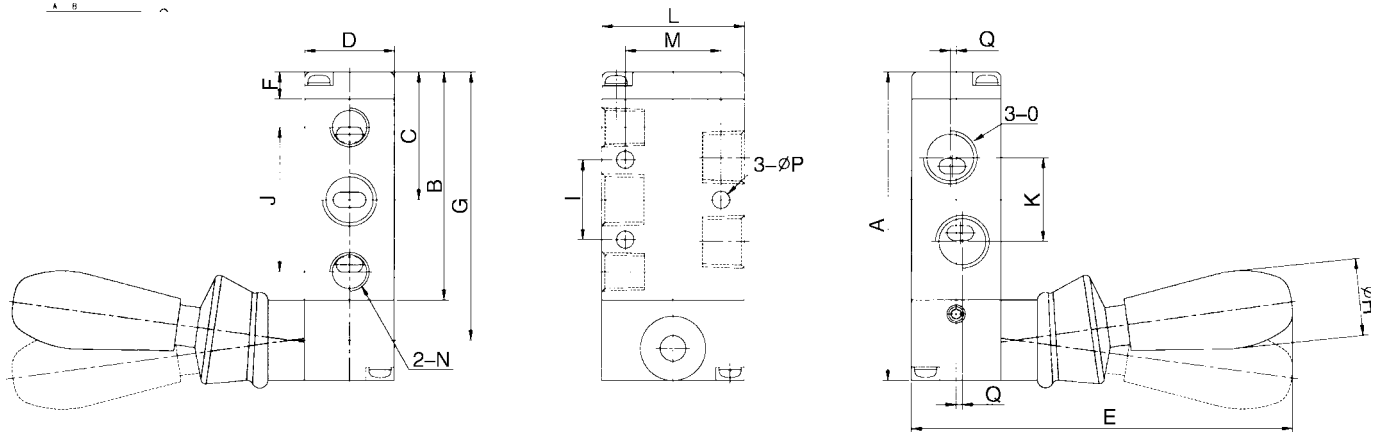
Specification:

Type	4H210-06	4H210-08	4H230-08	4H310-08	4H310-10	4H330-10	4H410-15	4H430-15
Position number	2 position 5 way		3 position 5 way	2 position 5 way		3 position 5 way	2 position 5 way	3 position 5 way
Fluid	Air(Filtered, 40um)							
Acting type	Directly							
Port size	input=output-exhausted =G1/8"	input=output=G1/4" exhausted=G1/8"		input=output-exhausted =G1/4"	input=output=G3/8" exhausted=G1/4"		input=output=exhausted =G1/2"	
Operating pressure range	0.2-0.8							
Ambient temperature	-5-60							

How to order:



Dimension(mm):



Type	4H210-08(06)	4H230-08(06) (Auto-restoration)	4H310-10(08)	4H330-10(08) (Auto-restoration)	4H410-15	4H430-15 (Auto-restoration)
A	76	95	96	115	126	147
B	56.5	75.5	72	91	102	123
C	31.5	31.5	40	60	55.5	76.5
D	22	22	27	27	34	34
E	95	95	100	100	110	110
F	6.5	6.5	7.5	7.5	7.5	7.5
G	66.5	85.5	84	103	114	135
H	18	18	18	18	18	18
I	20	20	24	24	28	28
J	36	36	45	45	63	63
K	21	21	24	24	36	36
L	35	35	40	40	50	50
M	21	21	27	27	35	35
N	G1/8	G1/8	G3/8	G3/8	G1/2	G1/2
O	G1/4(G1/8)	G1/4(G1/8)	G3/8(G1/4)	G3/8(G1/4)	G1/2	G1/2
P	4.3	4.3	4.3	4.3	5.5	5.5
Q	1.5(-)	1.5(-)	2(-)	2(-)	-	-

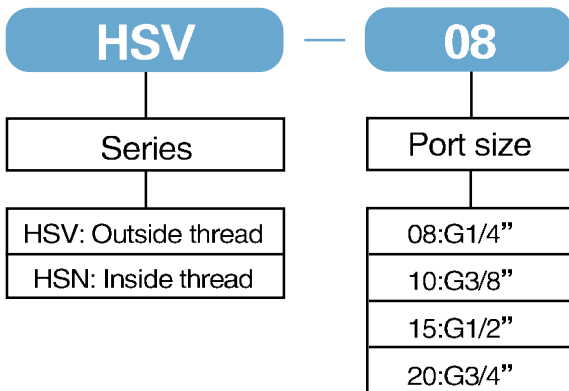
Hand Valve



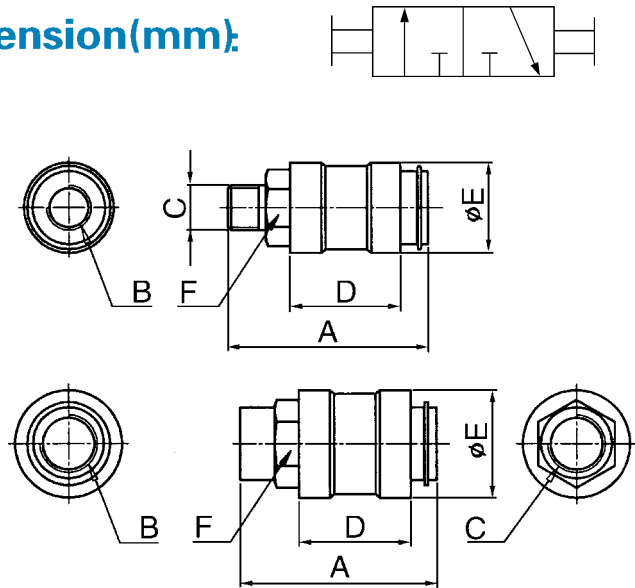
Specification:

Type	HSV、HSN-08	HSV、HSN-10	HSV、HSN-15	HSV、HSN-20
Port size G	1/4"	3/8"	1/2"	3/4"
Fluid	Air			
Operation pressure MPa	0.2-0.8			
Ambient temperature	5-60°C			

How to order:



Dimension(mm):



Type	A	B	C	D	E	F
HSV、HSN-08	58	G1/4"	G1/4"	32	26	19
HSV、HSN-10	57	G3/8"	G3/8"	32	31	22
HSV、HSN-15	91	G1/2"	G1/2"	49	38.5	27
HSV、HSN-20	91	G3/4"	G3/4"	49	42	35

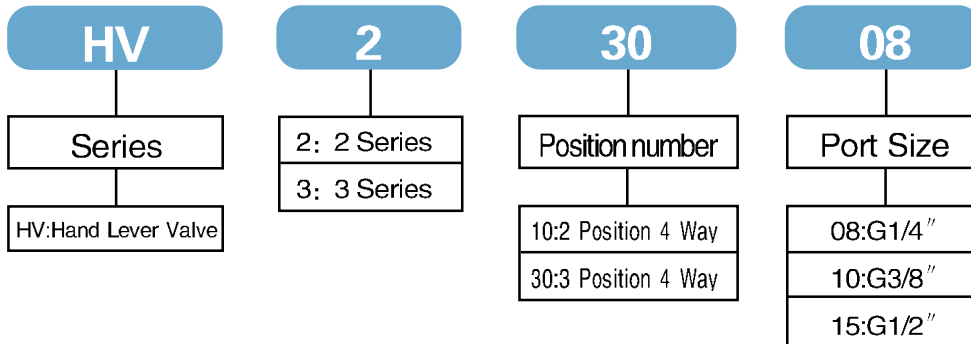
Hand-Switching Valve

Specification:

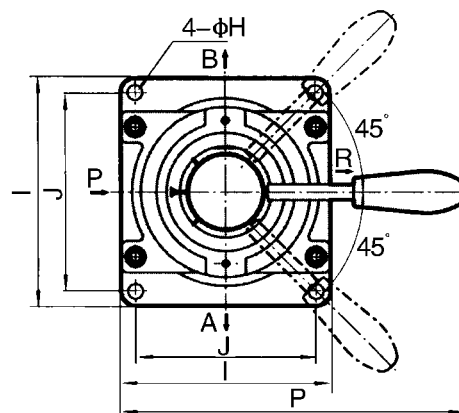
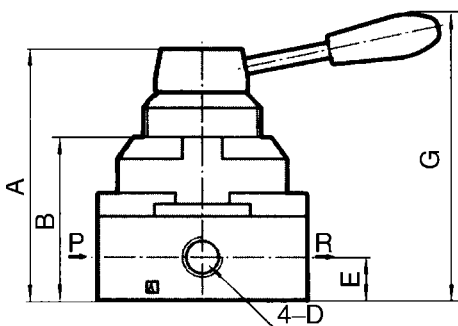
Type	HV2□□-08	HV3□□-08	HV3□□-10	HV3□□-15
Medium	Air			
Position number	2 Position 4 Way/3 Position 4 Way			
Port size(G)	1/4"	3/8"	1/2"	
Operating temperature(Mpa)	0.2~0.8			
Ambient temperature range	-5~60°C			
Operating angle	90°			



How to order:



Dimension(mm):



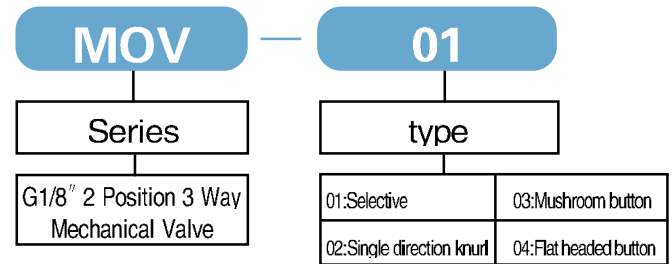
Type	A	B	D	E	G	H	I	J	P
HV2□□-08	72.6	45	G1/4	11.5	92.5	5	62	49	120
HV3□□-08	88.5	56	G1/4	13.5	104	6.6	74	62	140
HV3□□-10	88.5	56	G3/8	13.5	104	6.6	74	62	140
HV3□□-15	88.5	56	G1/2	13.5	104	6.6	74	62	140

Mechanical Valve

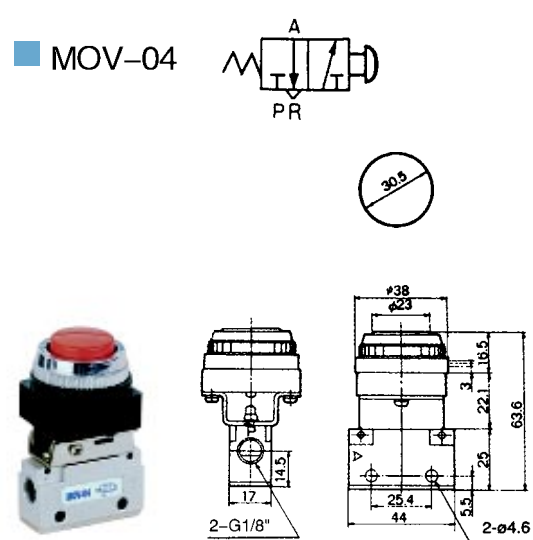
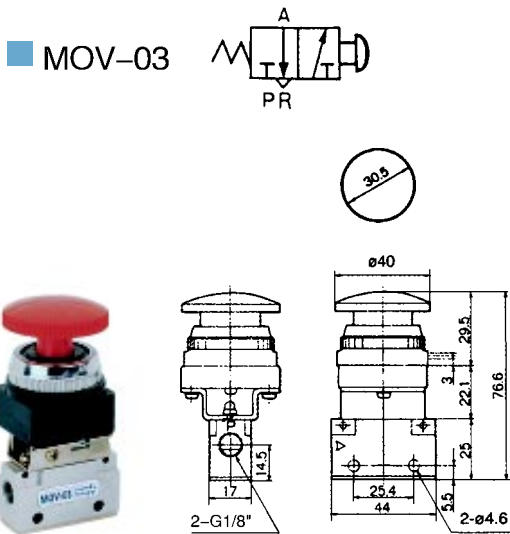
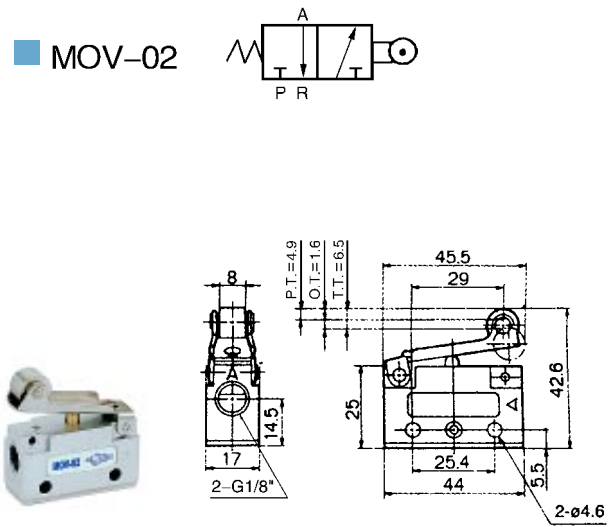
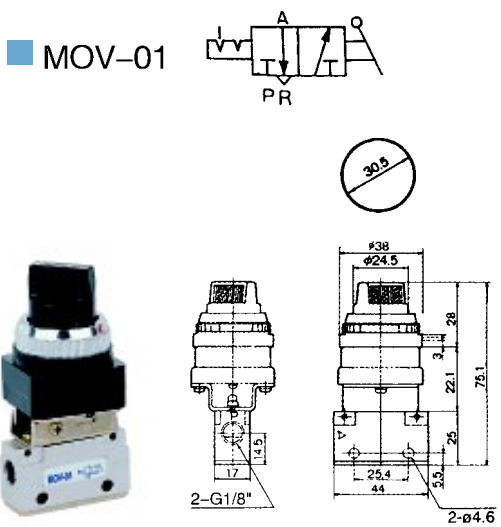
Specification:

Type	MOV-01、02、03、04
Port size(G)	1/8"
Fluid	Air
Temperature range	-5-60°C
Operating temperature(Mpa)	0.2-0.8

How to order:



Dimension(mm):

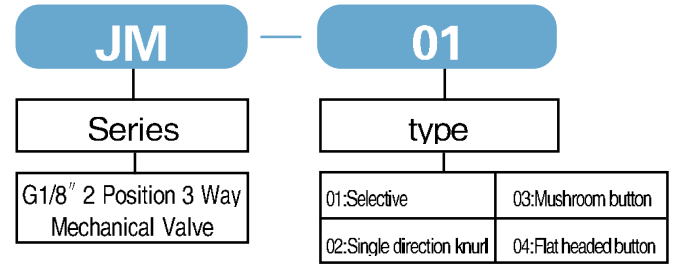


Mechanical Valve

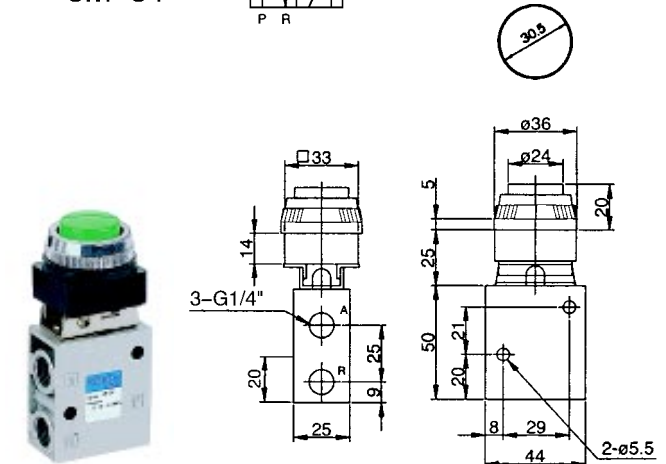
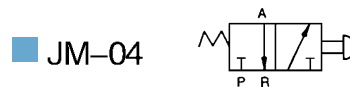
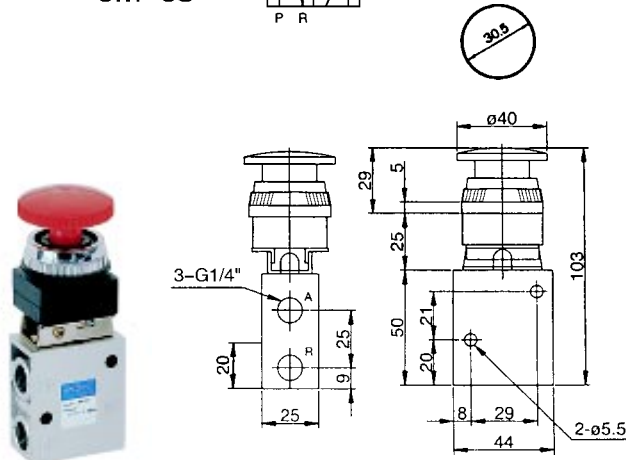
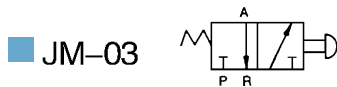
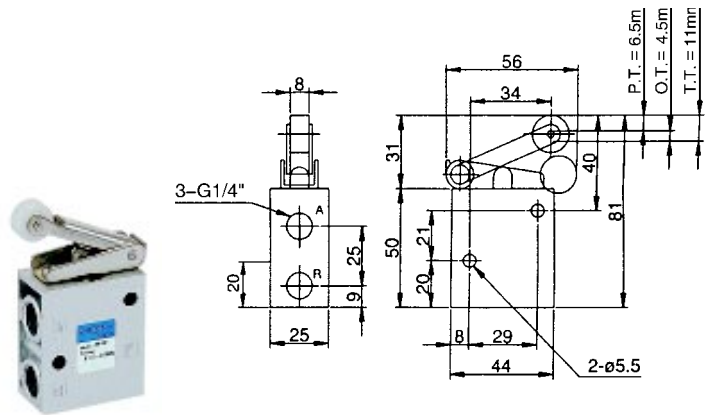
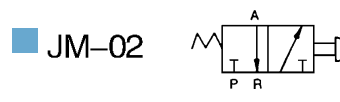
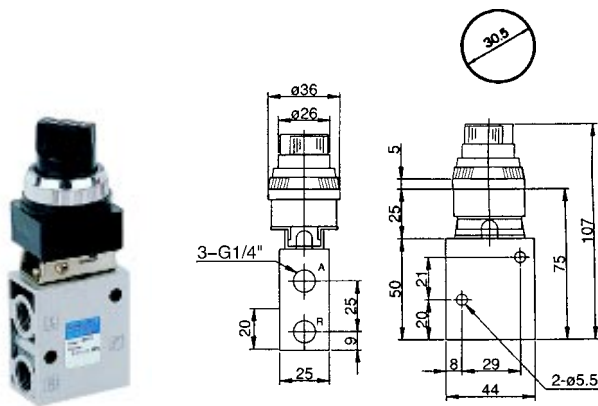
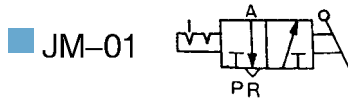
Specification:

Type	JM-01、02、03、04
Port size(G)	1/8"
Fluid	Air
Temperature range	-5-60°C
Operating temperature(Mpa)	0.2-0.8

How to order:



Dimension(mm):

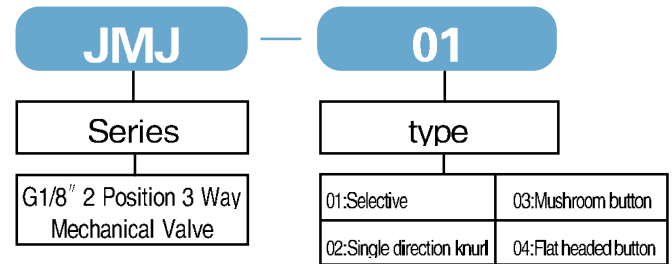


Mechanical Valve

Specification:

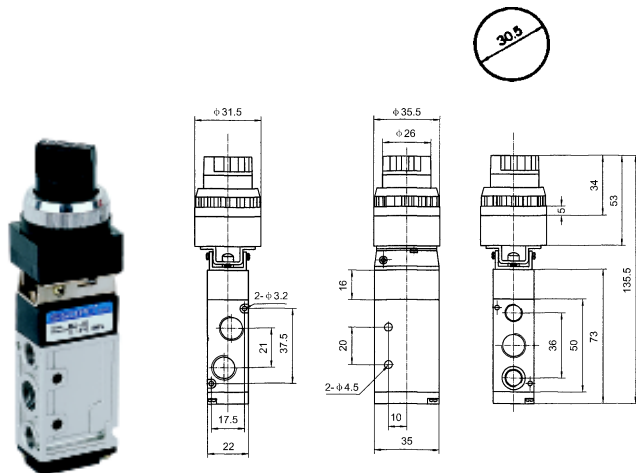
Type	JMJ-01、02、03、04
Port size(G)	1/8"
Fluid	Air
Temperature range	-5-60°C
Operating temperature(Mpa)	0.2-0.8

How to order:

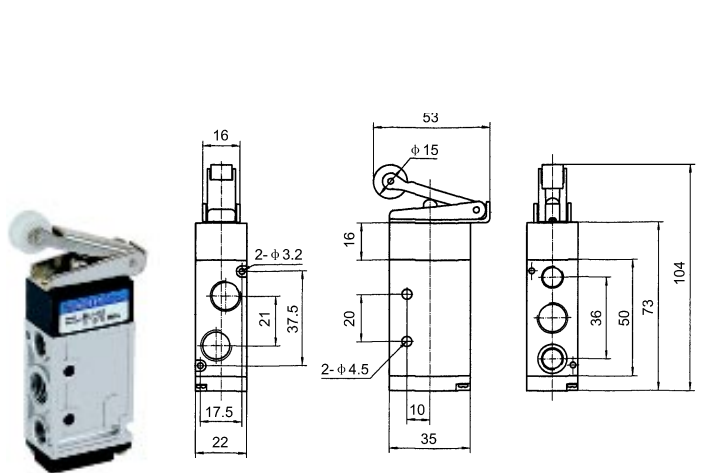


Dimension(mm):

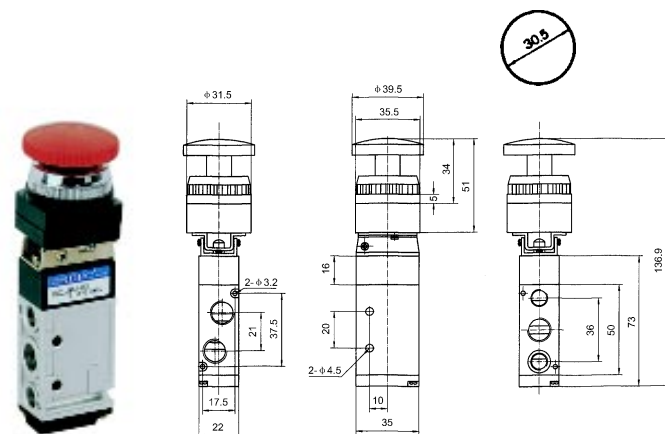
JMJ-01



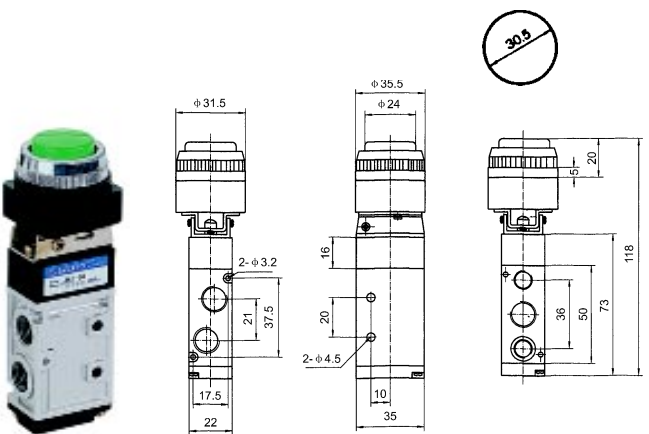
JMJ-02



JMJ-03



JMJ-04



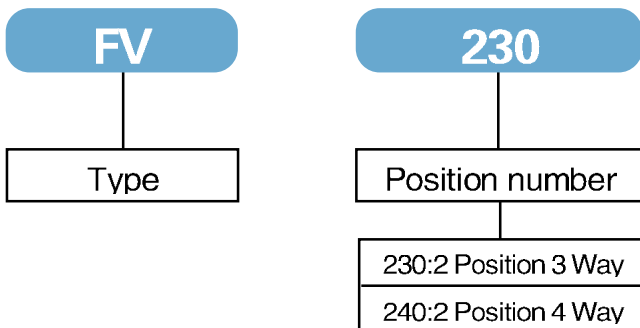
Foot Valve

Specification:

Type	FV230	FV240
Position number	2 Position 5 Way	2 Position 4 Way
Portsize(G)	1/4"	
Fluid	Air	
Operating temperature(Mpa)	0.2~0.7	
Temperature range	5~60°C	

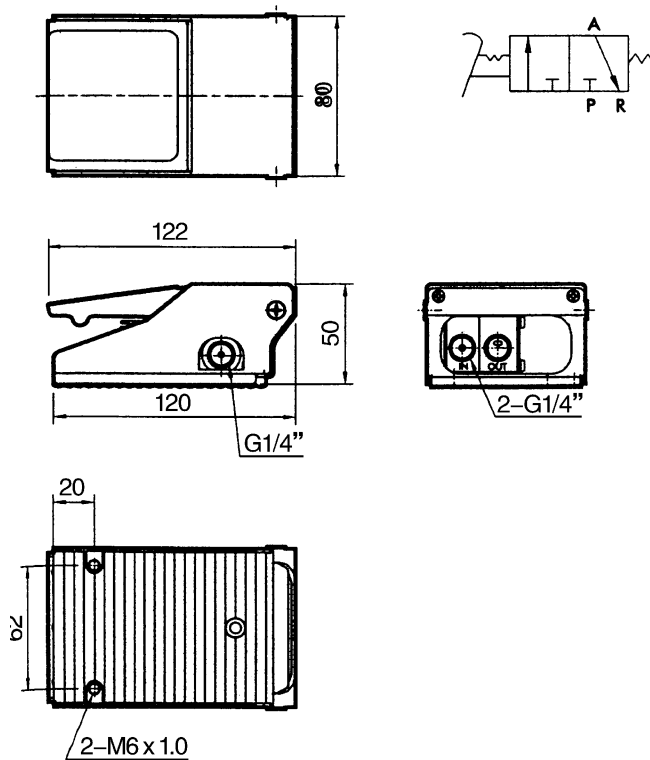


How to order:

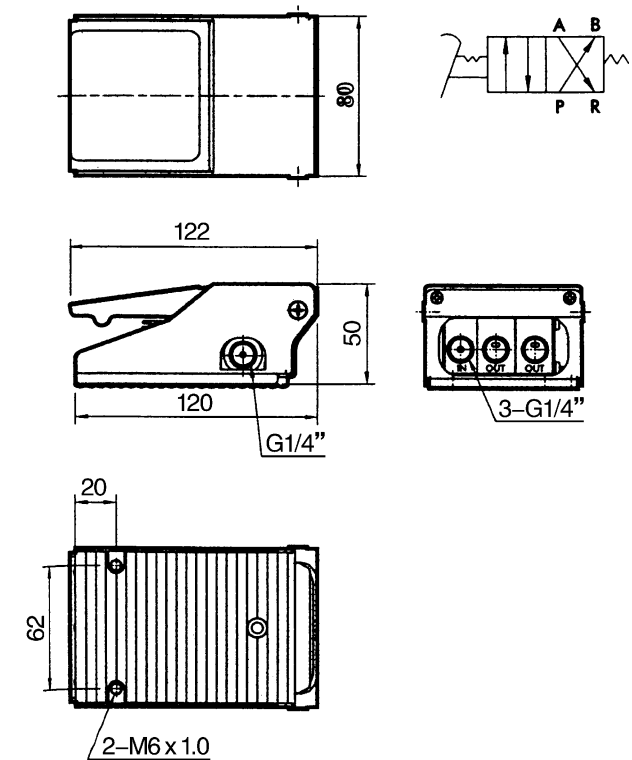


Dimension(mm):

FV230



FV240



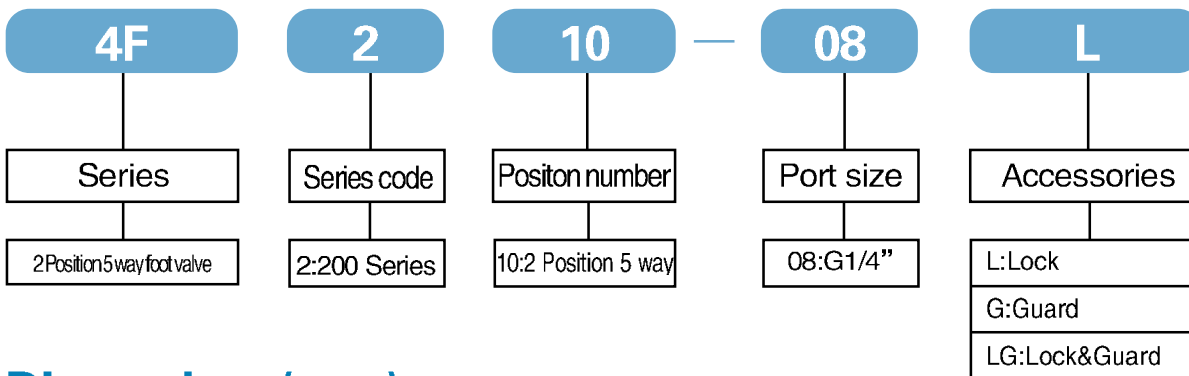
Foot Valve

Specification:

Type	4F210-08	4F210-08L	4F210-08G	4F210-08LG
Port size(G)	1/4"			
Fluid	Air			
Acting type	Directly operated			
Operating temperature(Mpa)	0.2-0.8			
Temperature range	0-60°C			

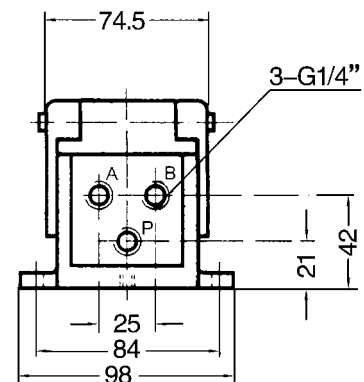
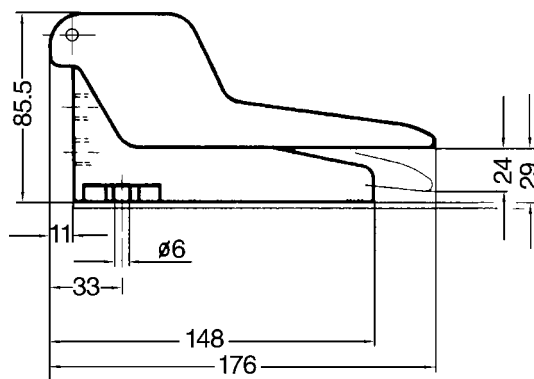
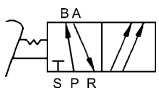


How to order:



Dimensions(mm):

4F210-08



4F210-08L

