

	100 Series Solenoid /Air Control Valve	<b>77</b>
	200 Series Solenoid /Air Control Valve	<b>81</b>
	300 Series Solenoid /Air Control Valve	<b>86</b>
	400 Series Solenoid /Air Control Valve	<b>91</b>
	25 Series Solenoid Valve	<b>94</b>
	4V 、 25 Series Manifold	<b>97</b>
	VF Series Solenoid Valve	<b>98</b>
	S Series Solenoid Valve	<b>101</b>
	SB Series Solenoid Valve	<b>107</b>
	SD Series Solenoid Valve	<b>108</b>
	SVH Series High Solenoid Valve	<b>109</b>
	Coil	<b>123</b>

## Solenoid Valve/Air Control Valve

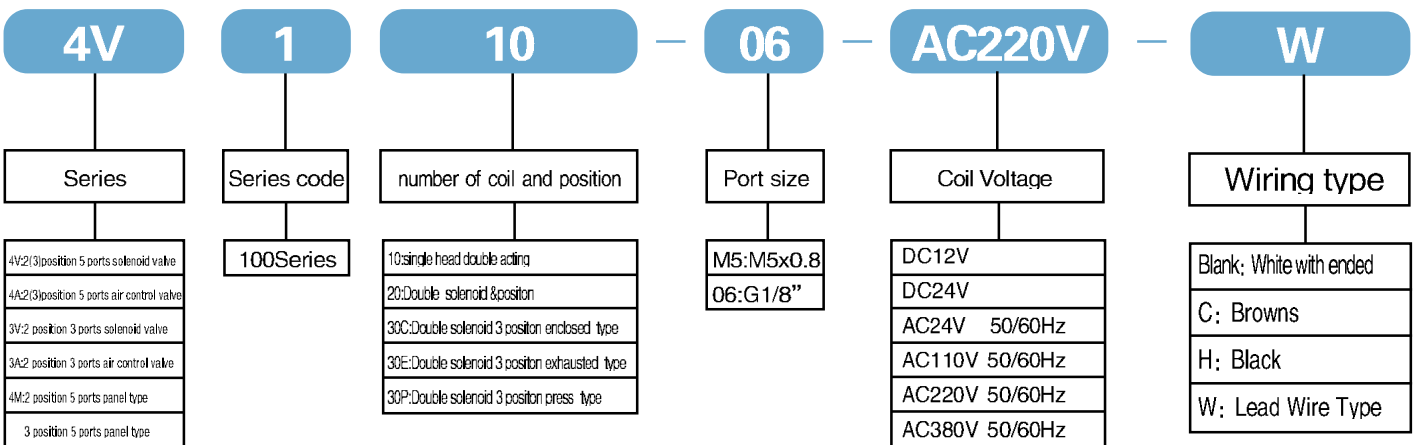
### Characteristic:

- Service life:10million cycle times.
- The bodies are mirror finished and hardening treated.
- Equipped with imported oil seals with smaller friction and longer service life.
- With imported coils,low power consumption, speedy response.
- Capable of long service time without being damaged.

### Specification:

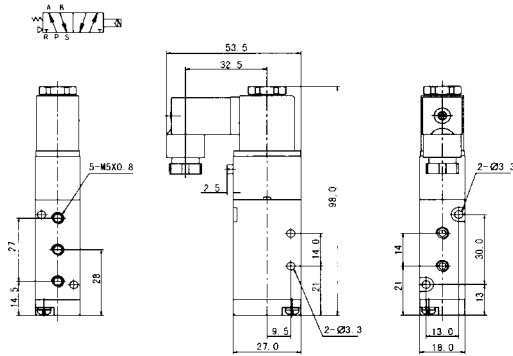
Type	4V110-M5	4V120-M5	4V130C-M5	4V130E-M5	4V130P-M5	4V110-06	4V120-06	4V130C-06	4V130E-06	4V130P-06
	4A110-M5	4A120-M5	4A130C-M5	4A130E-M5	4A130P-M5	4A110-06	4A120-06	4A130C-06	4A130E-06	4A130P-06
Position number	2 Positon 5 Way		3 Position 5 Way			2 Positon 5 Way		3 Position 5 Way		
Effective sectional area	10mm <sup>2</sup> (CV=0.56)		7mm <sup>2</sup> (CV=0.40)			12mm <sup>2</sup> (CV=0.67)		9mm <sup>2</sup> (CV=0.50)		
Type	3V110-M5	3V120-M5	3A110-M5	3A120-M5		3V110-06	3V120-06	3A110-06	3A120-06	
Position number	Two Positon Three Way					Two Positon Three Way				
Effective sectional area	10mm <sup>2</sup> (CV=0.56)					12mm <sup>2</sup> (CV=0.67)				
Port size	input=output=exhausted=M5 × 0.8					input=output=exhausted=G1/8"				
Fluid	Air									
Acting type	Internally pilot-actuated									
Working pressure MPa	0.2-0.8									
Ambient temperature °C	-5~50									
Voltage range	± 10%									

### How to order:

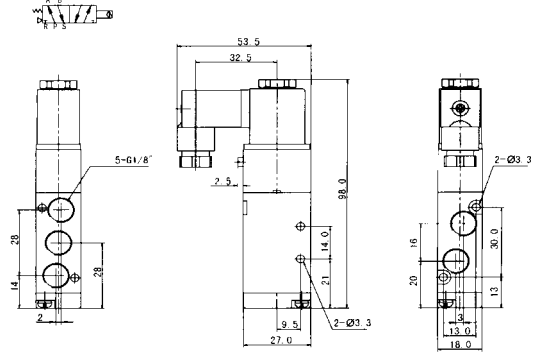


Dimension(mm):

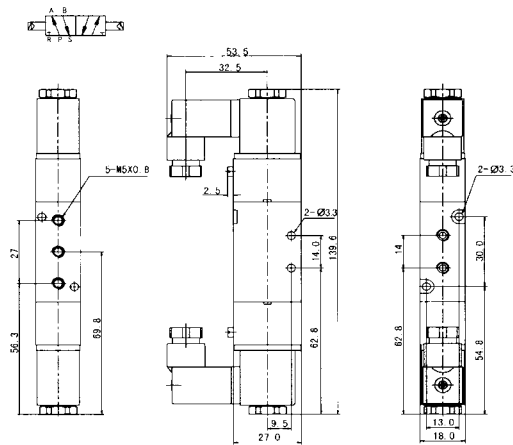
4V110-M5



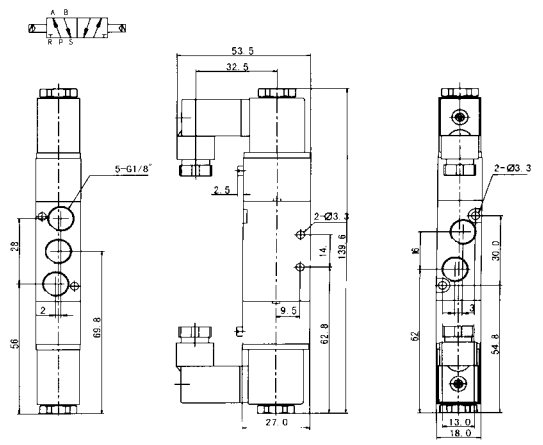
4V110-06



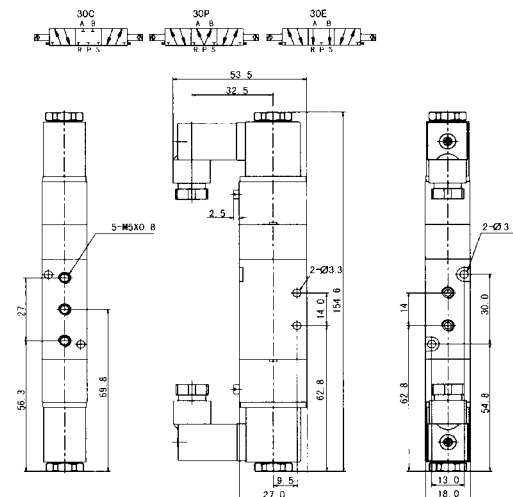
4V120-M5



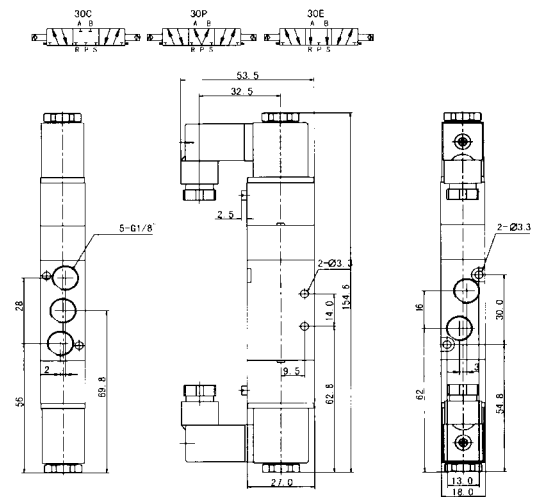
4V120-06



4V130-M5

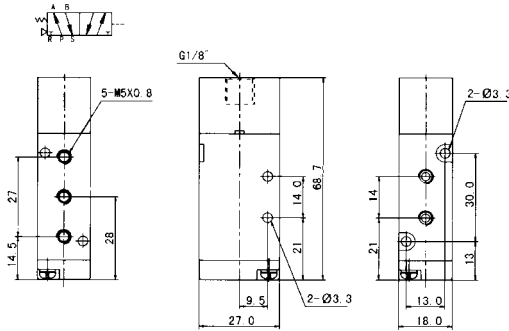


4V130-06

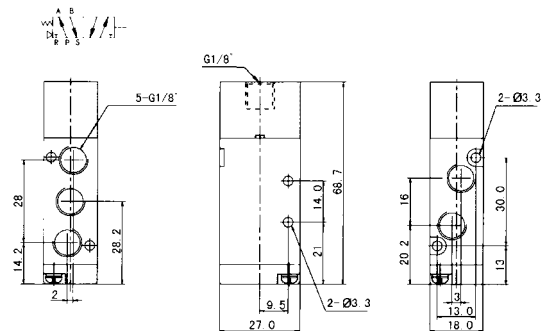


Dimension(mm):

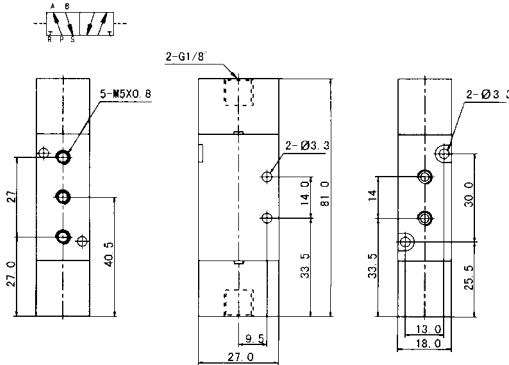
4A110-M5



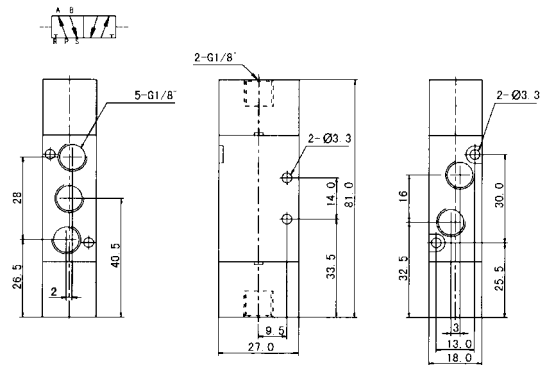
4A110-06



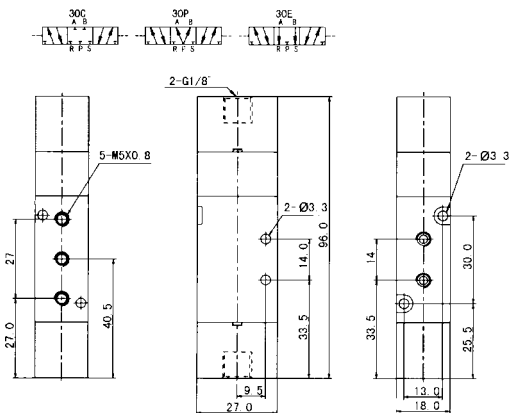
4A120-M5



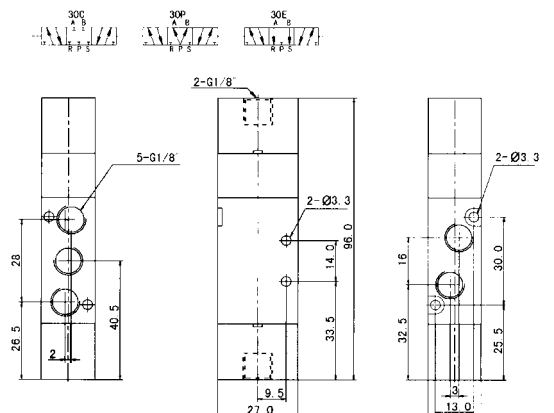
4A120-06



4A130-M5

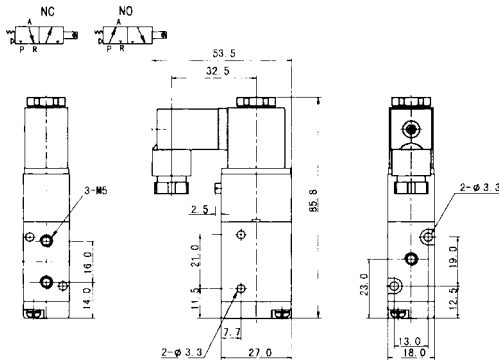


4A130-06

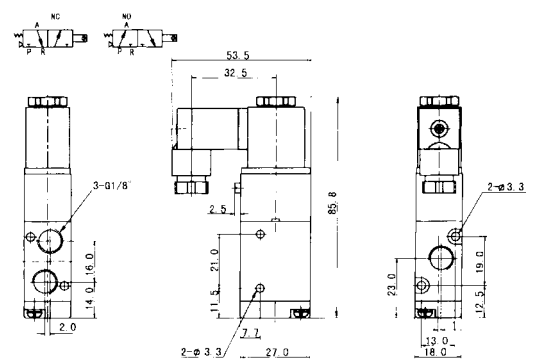


Dimension(mm):

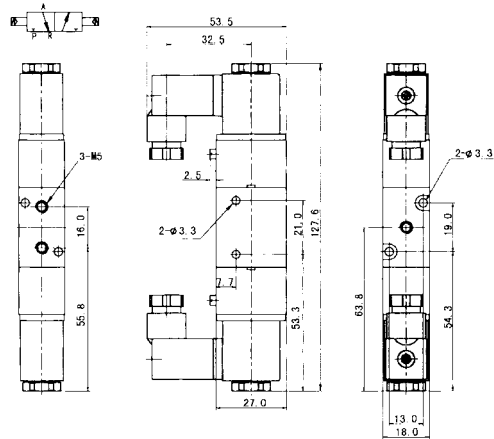
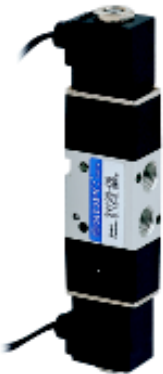
3V110-M5



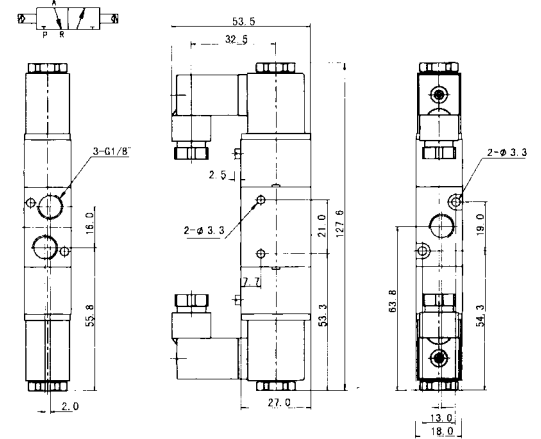
3V110-06



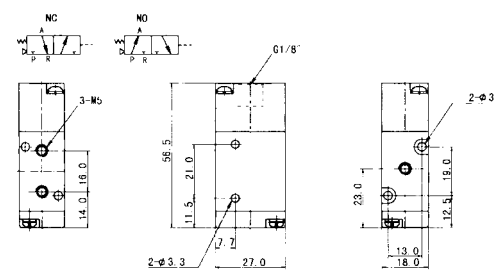
3V120-M5



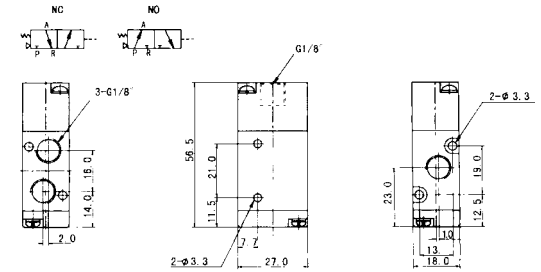
3V120-06



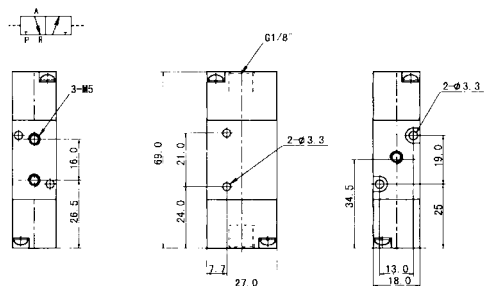
3A110-M5



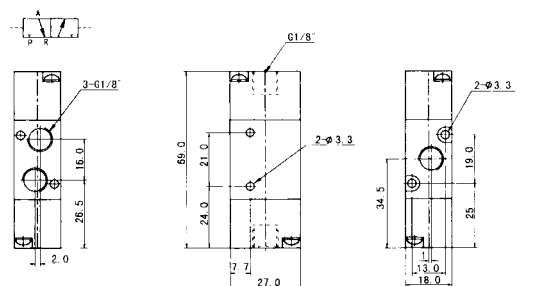
3A110-06



3A120-M5



3A120-06



## Solenoid Valve/Air Control Valve

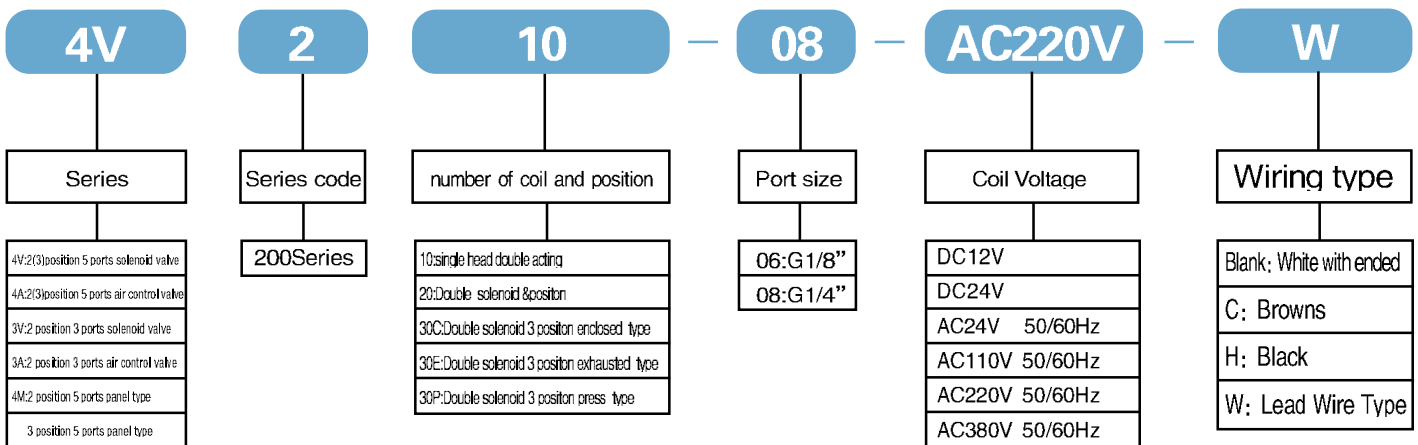
### Characteristic:

- Service life:10million cycle times.
- The bodies are mirror finished and hardening treated.
- Equipped with imported oil seals with smaller friction and longer service life.
- With imported coils,low power consumption, speedy response.
- Capable of long service time without being damaged.

### Specification:

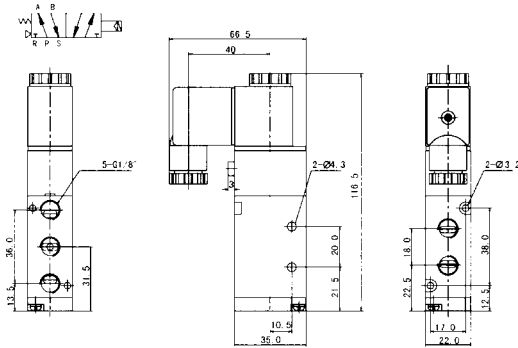
Type	4V210-06	4V220-06	4V230C-06	4V230E-06	4V230P-06	4V210-08	4V220-08	4V230C-08	4V230E-08	4V230P-08
	4A210-06	4A220-06	4A230C-06	4A230E-06	4A230P-06	4A210-08	4A220-08	4A230C-08	4A230E-08	4A230P-08
Position number	2 Position 5 Way		3 Position 5 Way			2 Position 5 Way		3 Position 5 Way		
Effective sectional area	14mm <sup>2</sup> (CV=0.78)		12mm <sup>2</sup> (CV=0.67)			16mm <sup>2</sup> (CV=0.89)		12mm <sup>2</sup> (CV=0.67)		
Type	3V210-06	3V220-06	3A210-06	3A220-06		3V210-08	3V220-08	3A210-08	3A220-08	
Position number	Two Position Three Way					Two Position Three Way				
Effective sectional area	14mm <sup>2</sup> (CV=0.78)					16mm <sup>2</sup> (CV=0.89)				
Port size	input=output=exhausted=G1/8"					input=output=G1/4" output=G1/8"				
Fluid	Air									
Acting type	Internally pilot-actuated									
Working pressure MPa	0.2~0.8									
Ambient temperature °C	-5~50									
Voltage range	± 10%									

### How to order:

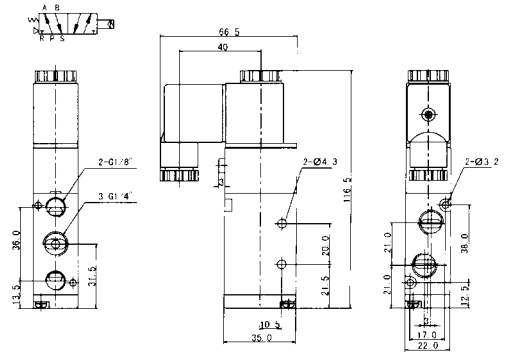


Dimension(mm):

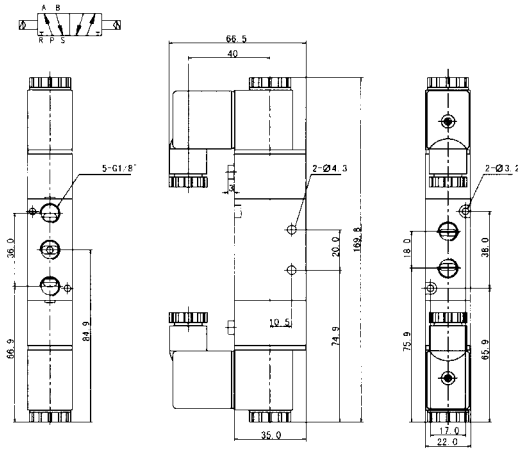
4V210-06



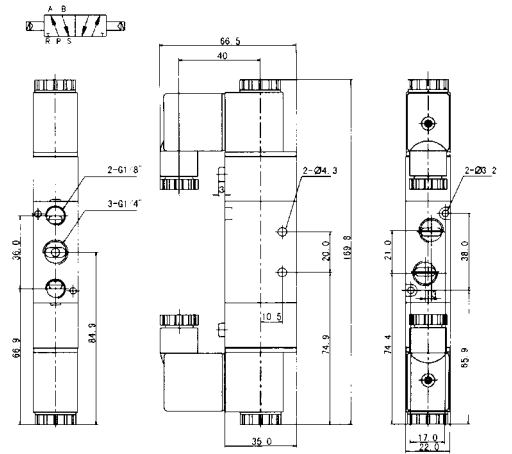
4V210-08



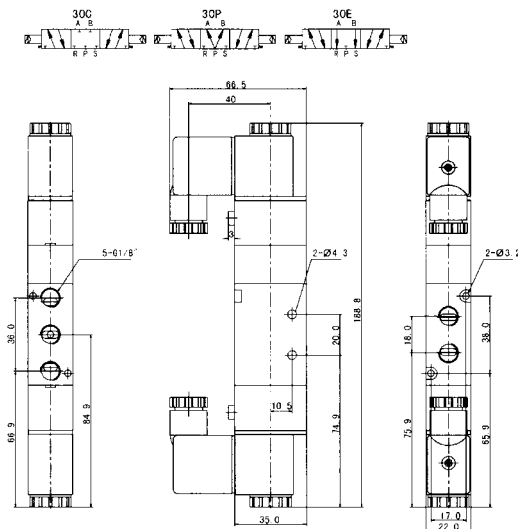
4V220-06



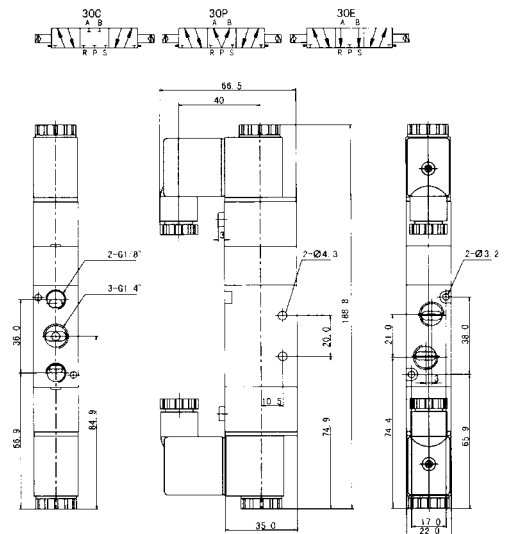
4V220-08



4V230-06

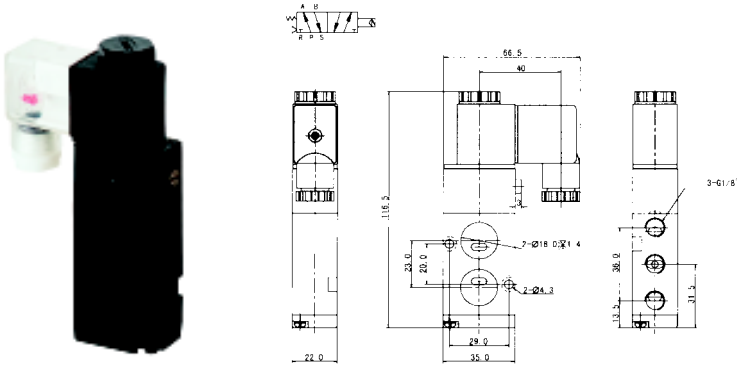


4V230-08

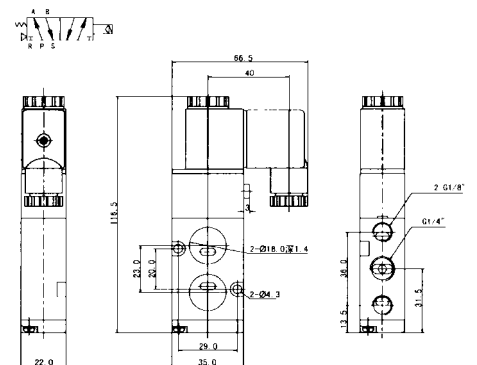


Dimension(mm):

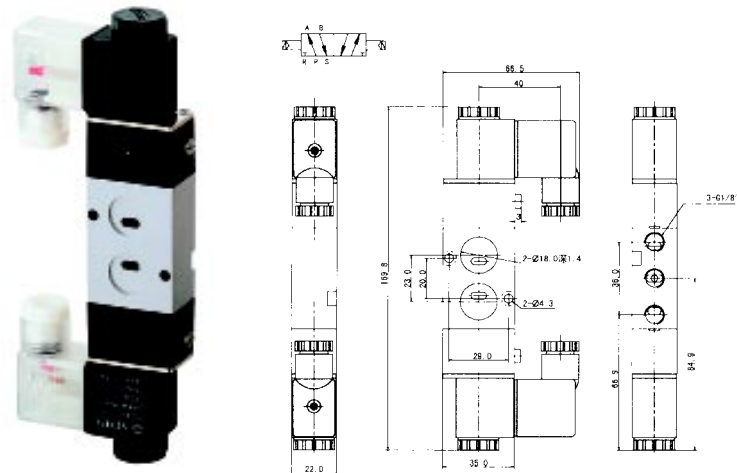
4M210-06



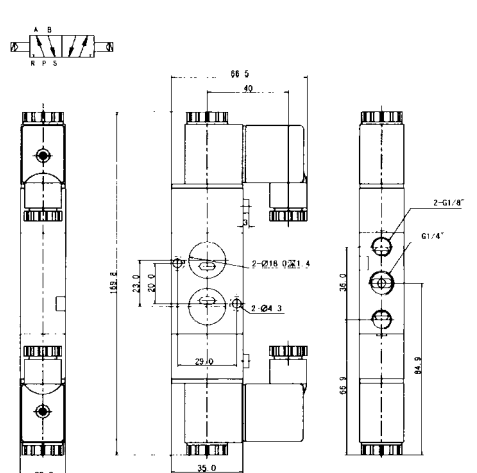
4M210-08



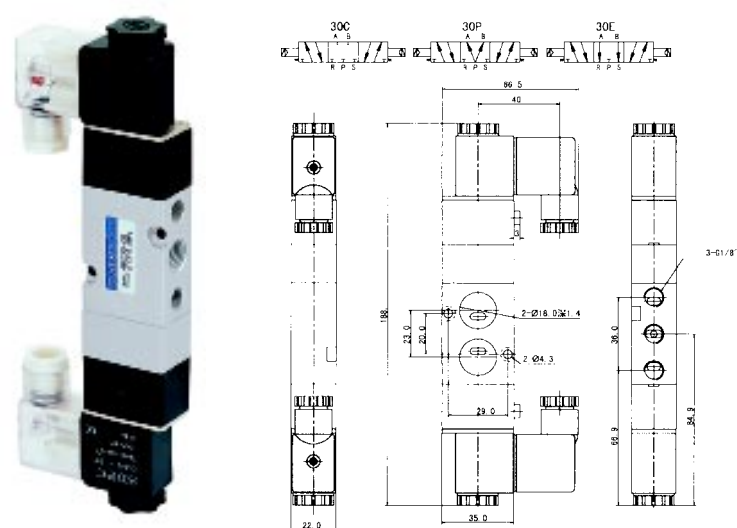
4M220-06



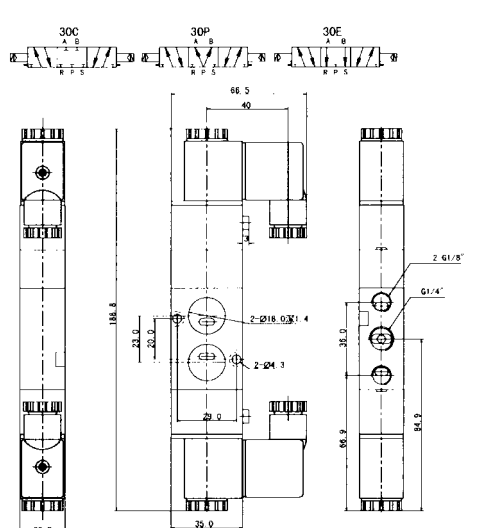
4M220-08



4M230-06



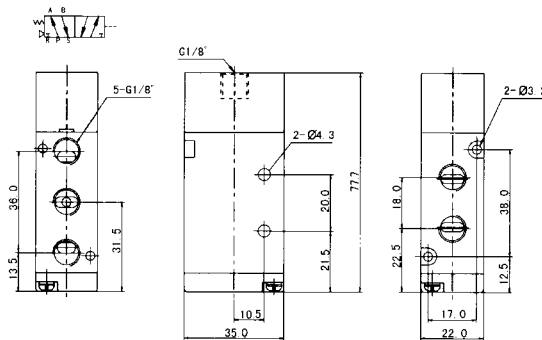
4M230-08



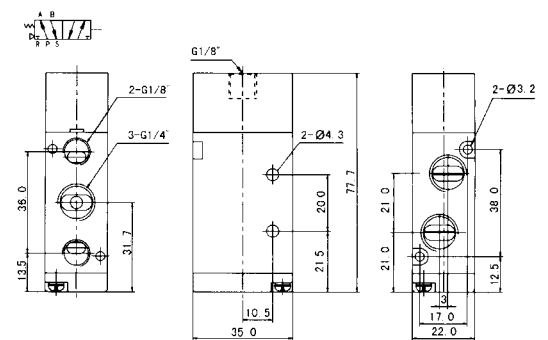


Dimension(mm):

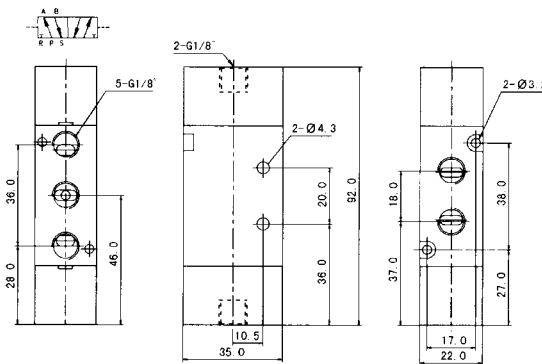
4A210-06



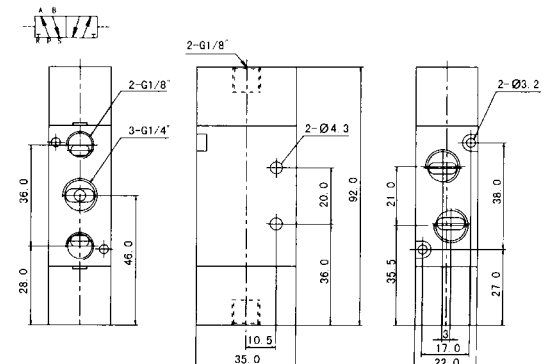
4A210-08



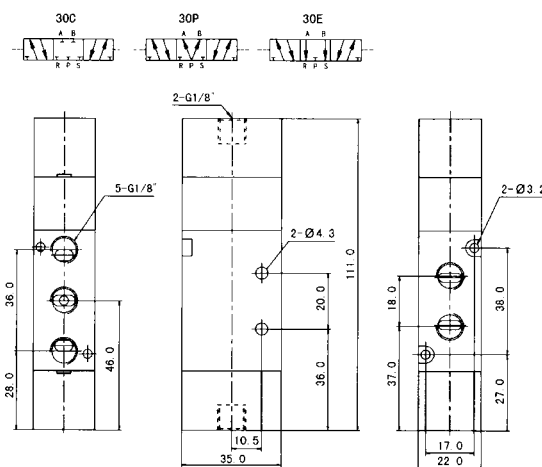
4A220-06



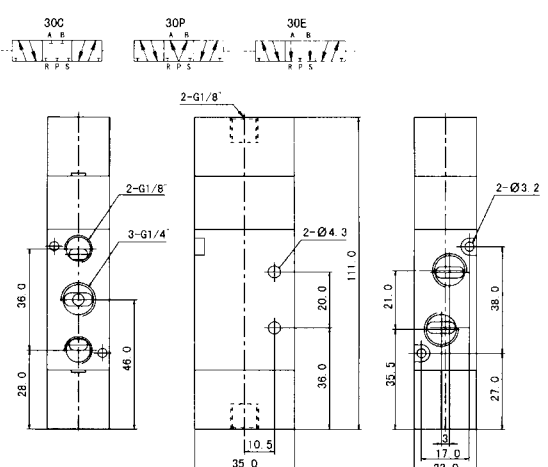
4A220-08



4A230-06

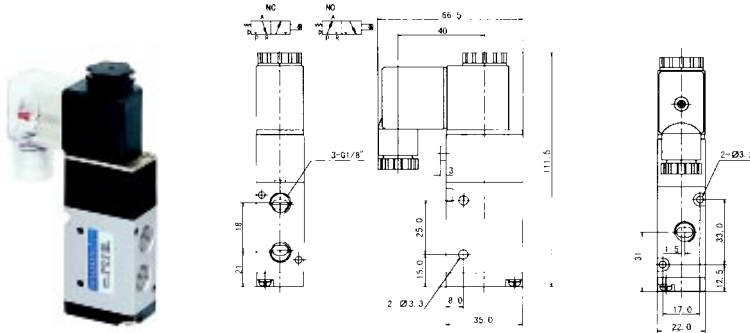


4A230-08

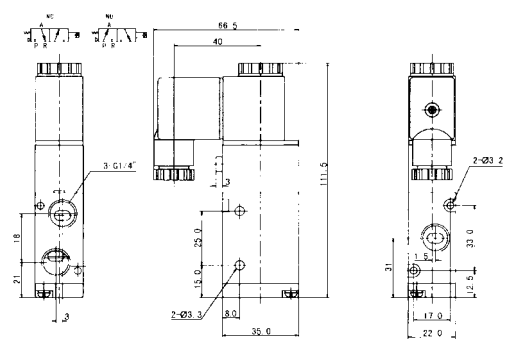


Dimension(mm):

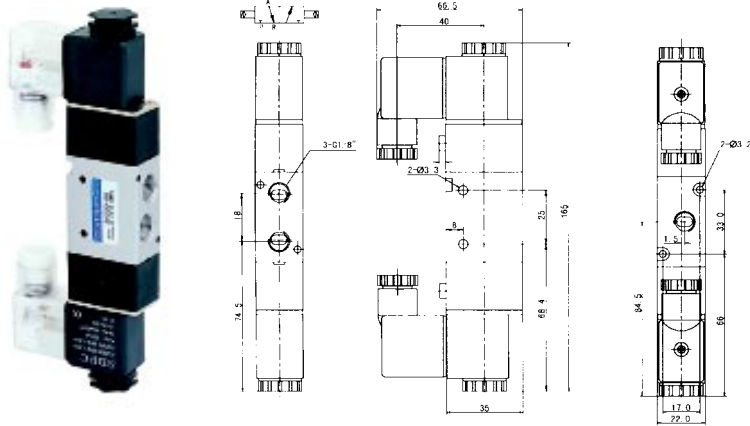
3V210-06



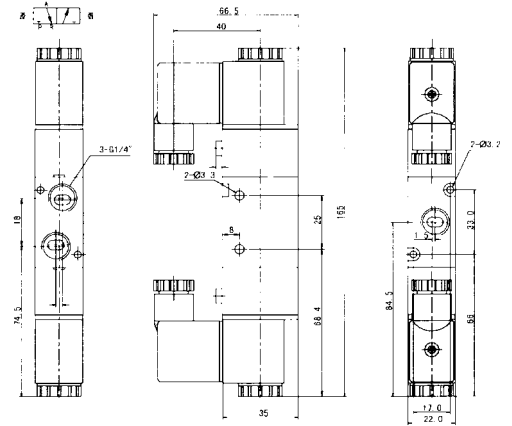
3V210-08



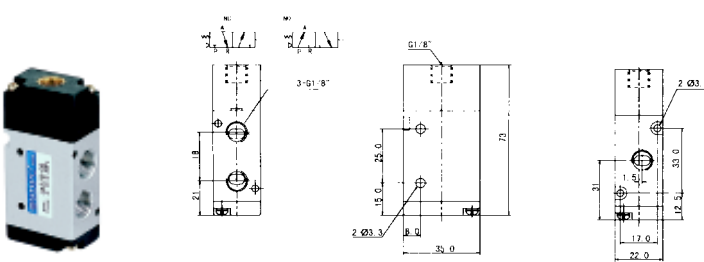
3V220-06



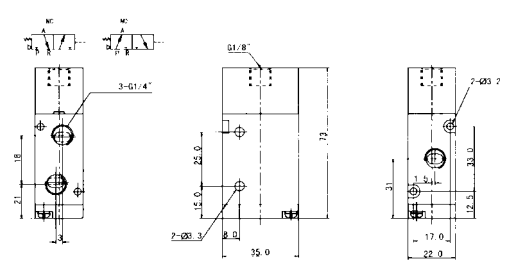
3V220-08



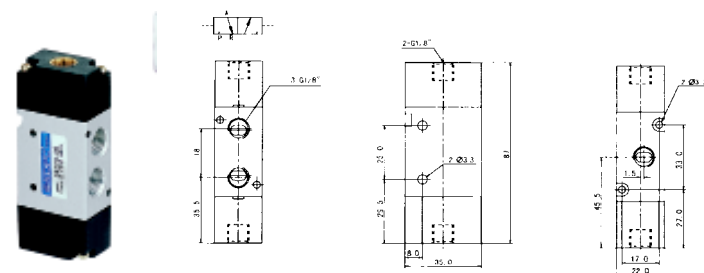
3A210-06



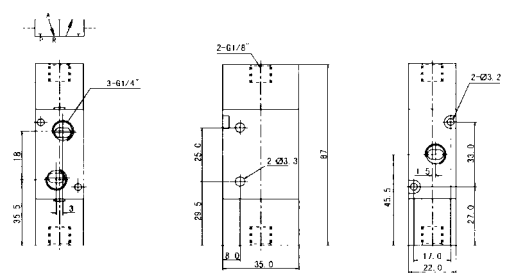
3A210-08



3A220-06



3A220-08



## Solenoid Valve/Air Control Valve

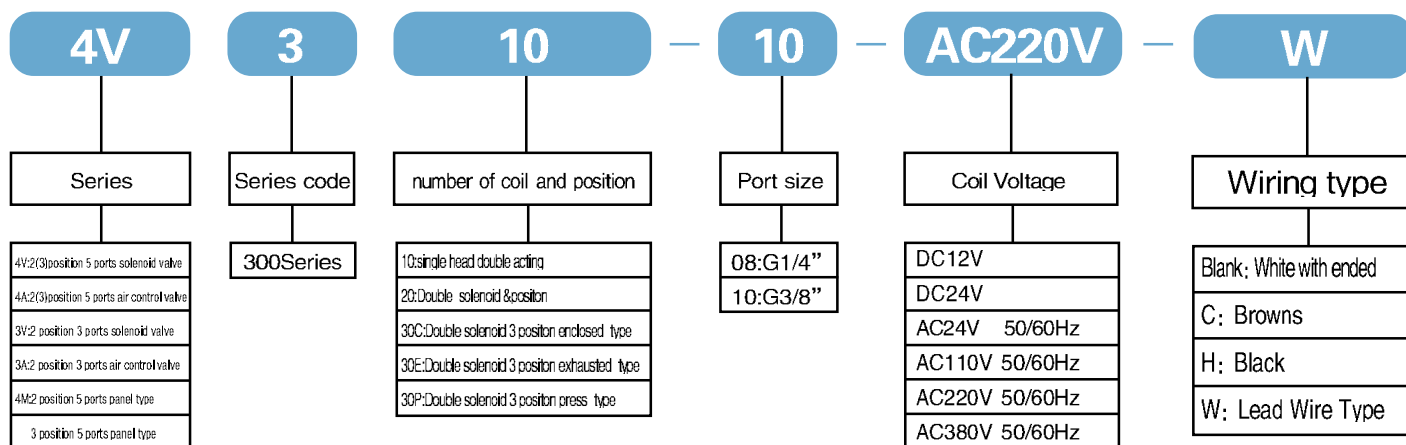
### Characteristic:

- Service life:10million cycle times.
- The bodies are mirror finished and hardening treated.
- Equipped with imported oil seals with smaller friction and longer service life.
- With imported coils,low power consumption, speedy response.
- Capable of long service time without being damaged.

### Specification:

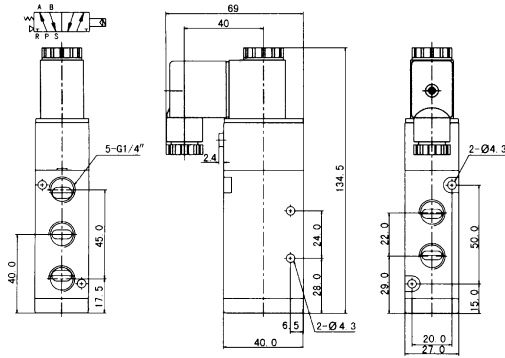
Type	4V310-08	4V320-08	4V330C-08	4V330E-08	4V330P-08	4V310-10	4V320-10	4V330C-10	4V330E-10	4V330P-10
	4A310-08	4A320-08	4A330C-08	4A330E-08	4A330P-08	4A310-10	4A320-10	4A330C-10	4A330E-10	4A330P-10
Position number	2 Positon 5 Way		3 Position 5 Way			2 Positon 5 Way		3 Position 5 Way		
Effective sectional area	25mm <sup>2</sup> (CV=1.40)		18mm <sup>2</sup> (CV=1.00)			30mm <sup>2</sup> (CV=1.68)		18mm <sup>2</sup> (CV=1.00)		
Type	3V310-08	3V320-08	3A310-08	3A320-08		3V310-10	3V320-10	3A310-10	3A320-10	
Position number	Two Positon Three Way					Two Positon Three Way				
Effective sectional area	25mm <sup>2</sup> (CV=1.40)					30mm <sup>2</sup> (CV=1.68)				
Port size	input=output=exhausted=G1/4"					input=output=G3/8" output=G1/4"				
Fluid	Air									
Acting type	Internally pilot-actuated									
Working pressure MPa	0.2-0.8									
Ambient temperature °C	-5~50									
Voltage range	± 10%									

### How to order:

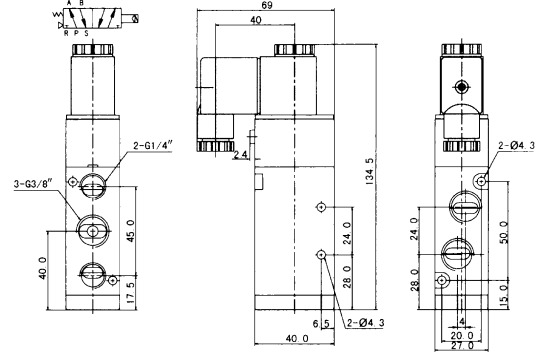


Dimension(mm):

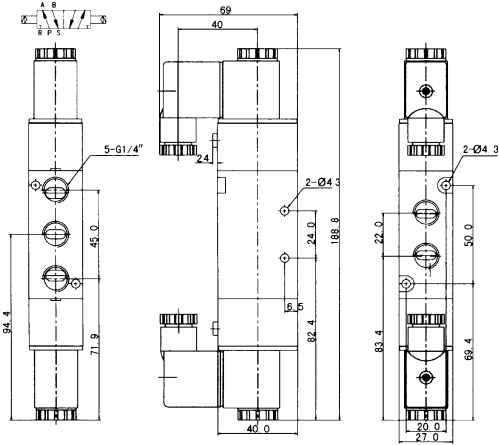
4V310-08



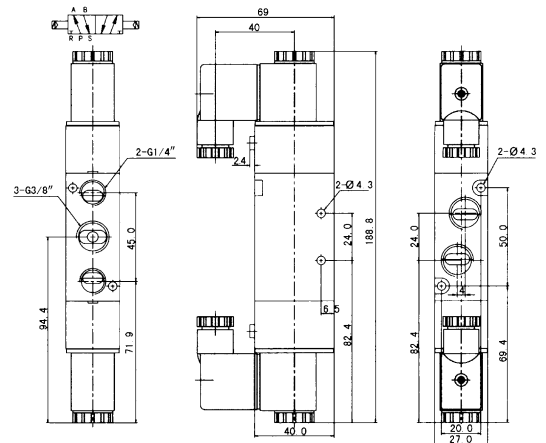
4V310-10



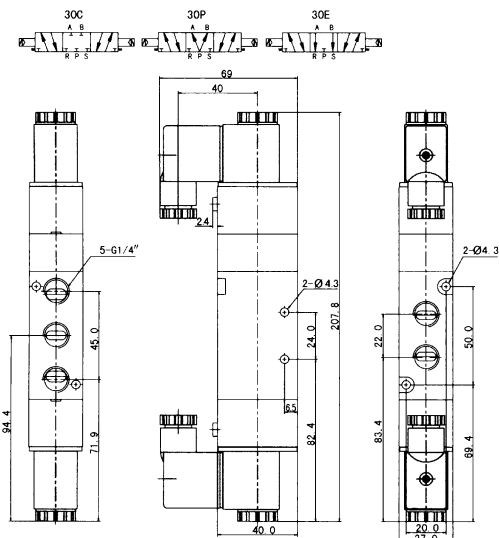
4V320-08



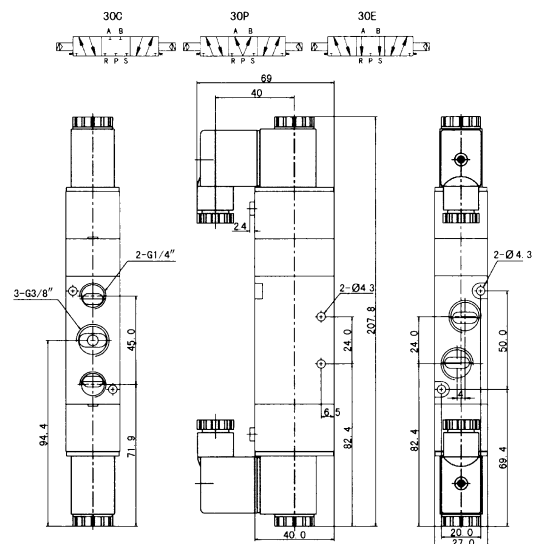
4V320-10



4V330-08

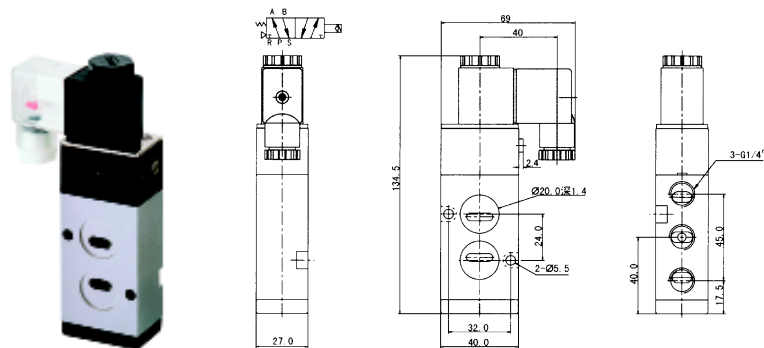


4V330-10

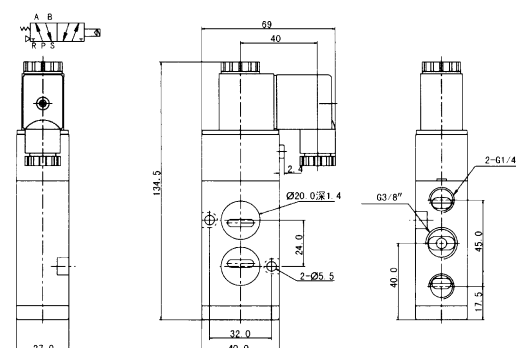


Dimension(mm):

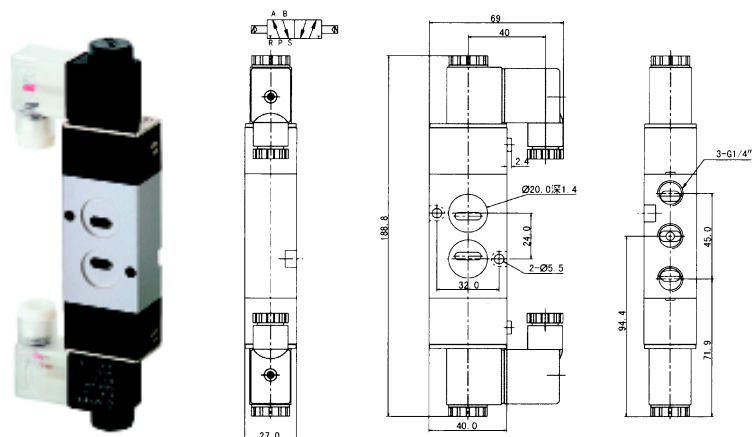
4M310-08



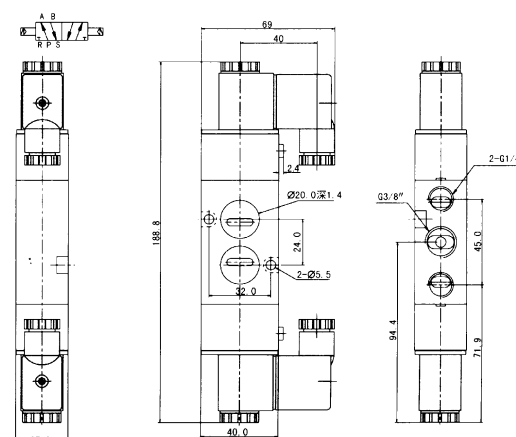
4M310-10



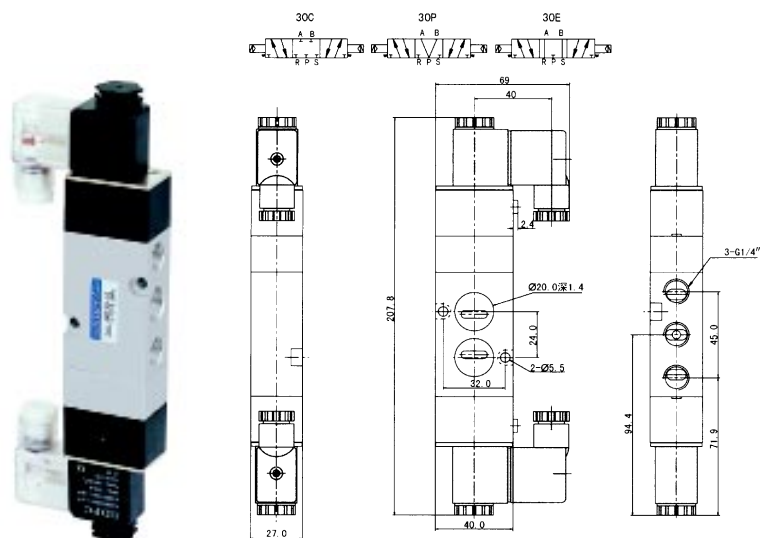
4M320-08



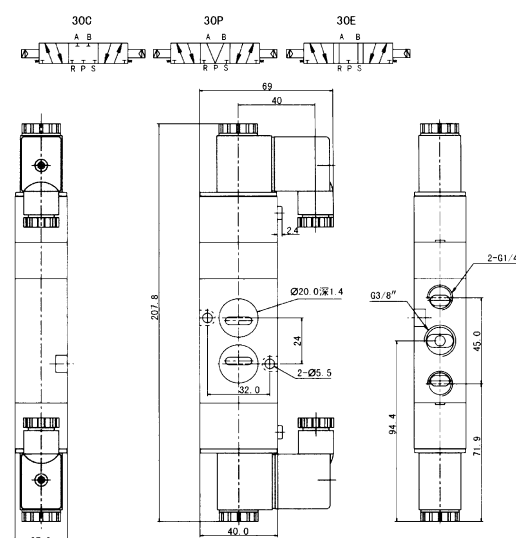
4M320-10



4M330-08

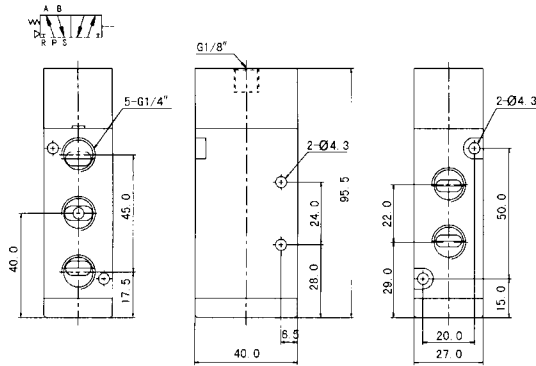


4M330-10

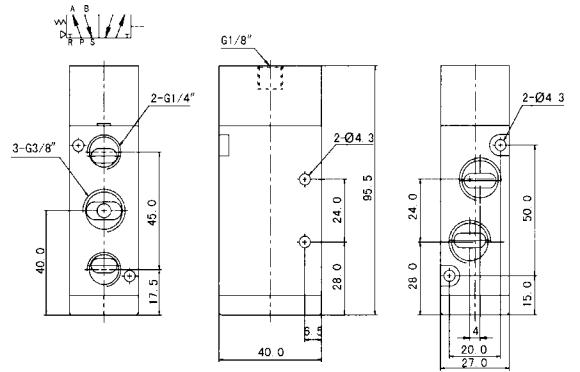


Dimension(mm):

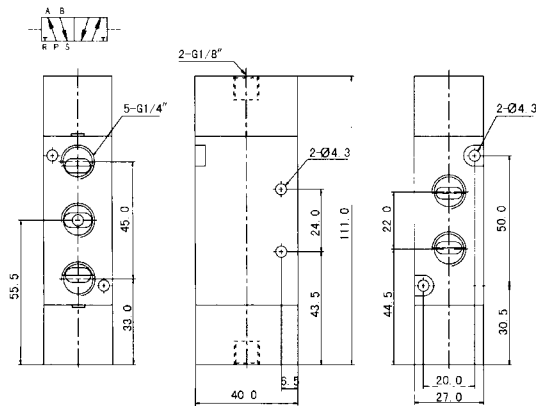
4A310-08



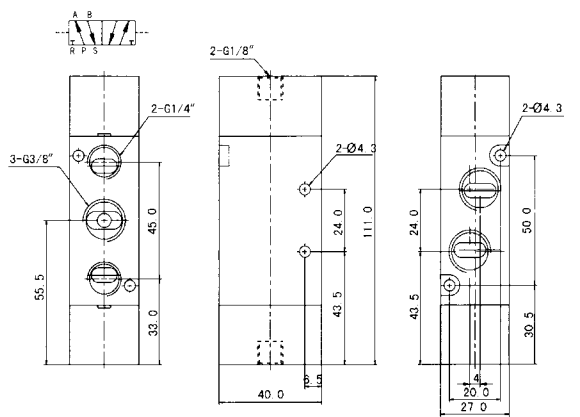
4A310-10



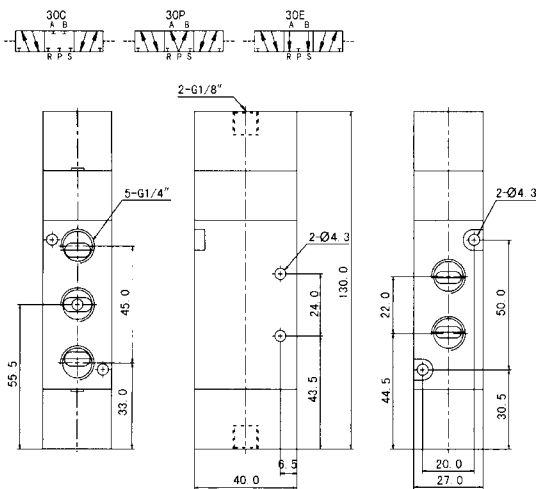
4A320-08



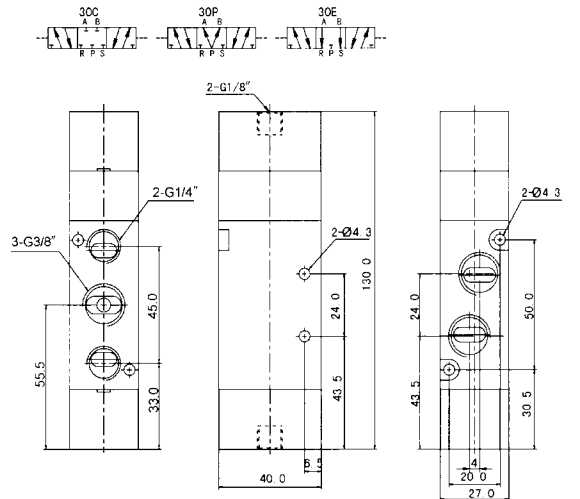
4A320-10



4A330-08

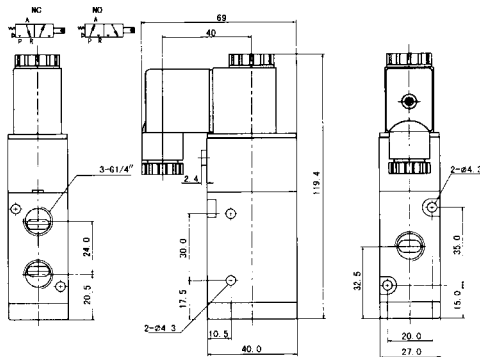


4A330-10

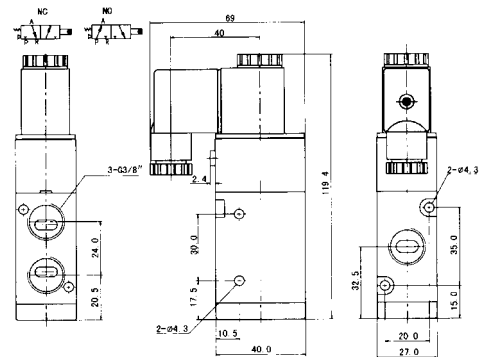


Dimension(mm):

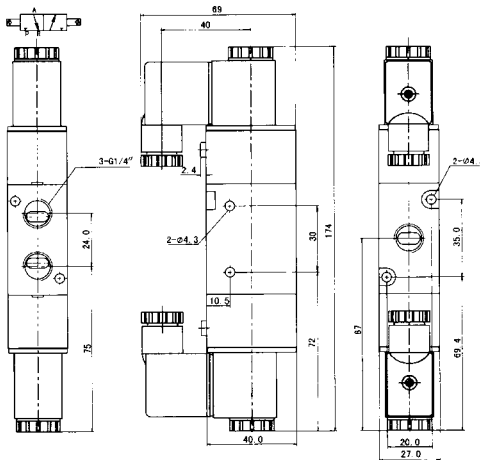
3V310-08



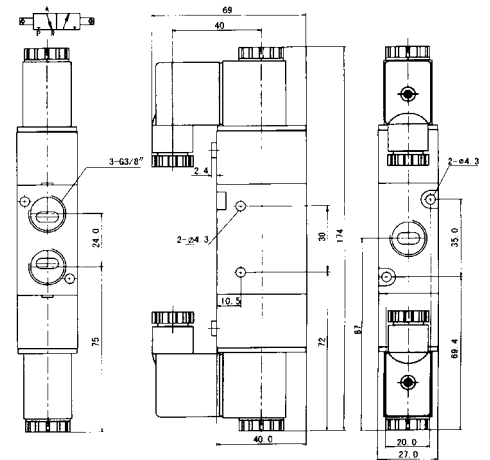
3V310-10



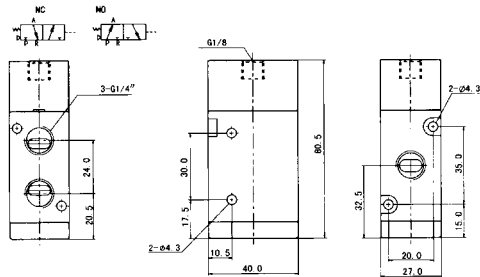
3V320-08



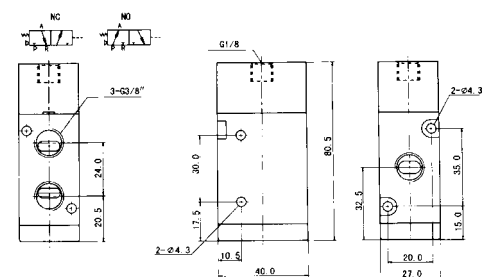
3V320-10



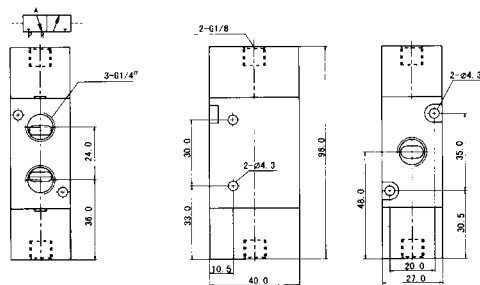
3A310-08



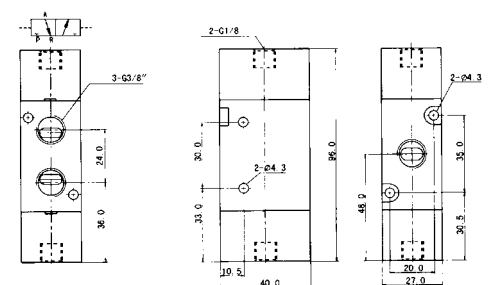
3A310-10



3A320-08



3A320-10



## Solenoid Valve/Air Control Valve

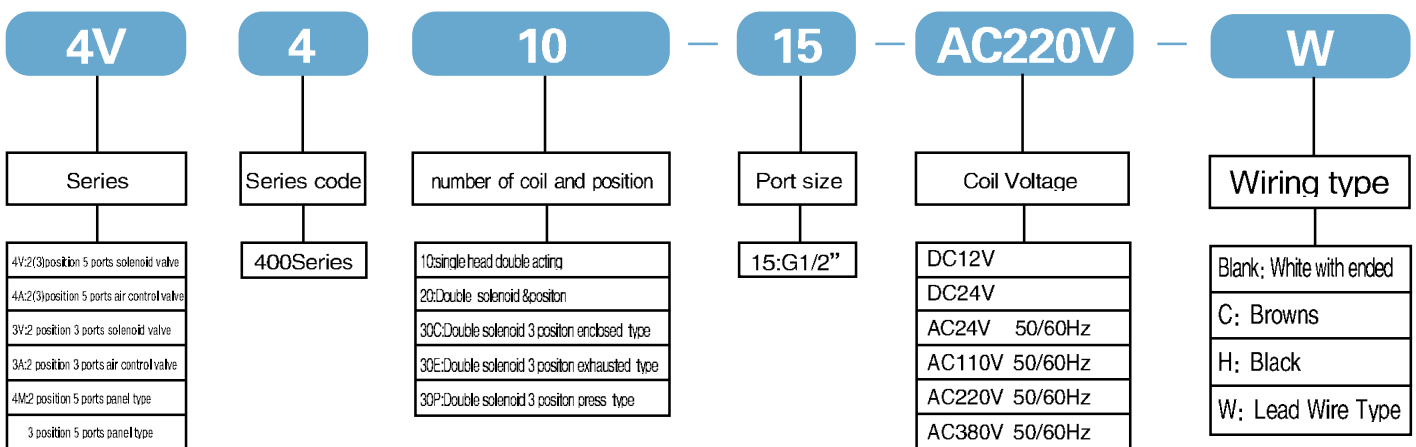
### Characteristic:

- Service life:10million cycle times.
- The bodies are mirror finished and hardening treated.
- Equipped with imported oil seals with smaller friction and longer service life.
- With imported coils,low power consumption, speedy response.
- Capable of long service time without being damaged.

### Specification:

Type	4V410-15	4V420-15	4V430C-15	4V430E-15	4V430P-15
	4A410-15	4A420-15	4A430C-15	4A430E-15	4A430P-15
Position number	2 Position 5 Way		3 Position 5 Way		
Effective sectional area	25mm <sup>2</sup> (CV=1.40)		30mm <sup>2</sup> (CV=1.68)		
Type	3V410-15	3V420-15	3A410-15	3A420-15	
Position number	Two Position Three Way				
Effective sectional area	50mm <sup>2</sup> (CV=2.79)				
Port size	input=output=exhausted=G1/2"				
Fluid	Air				
Acting type	Internally pilot-actuated				
Working pressure MPa	0.2-0.8				
Ambient temperature °C	-5-50				
Voltage range	± 10%				

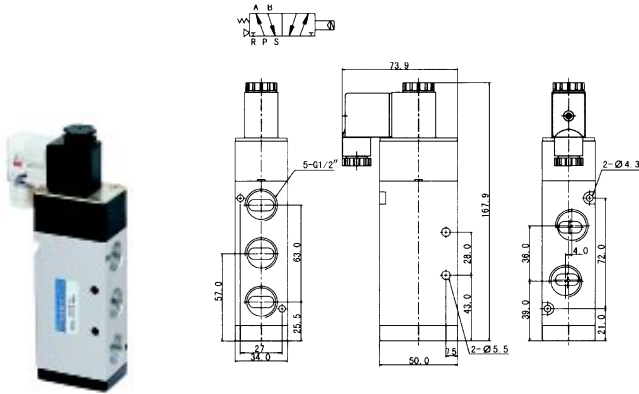
### How to order:



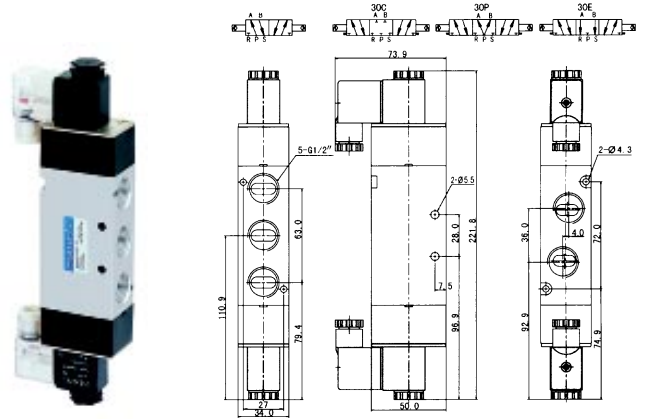


Dimension(mm):

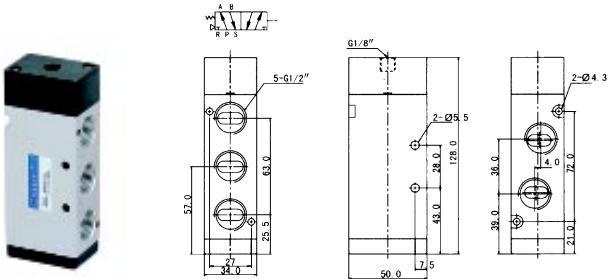
4V410-15



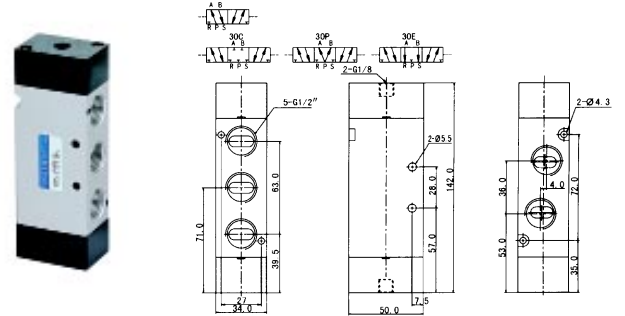
4V420-15、4V430-15



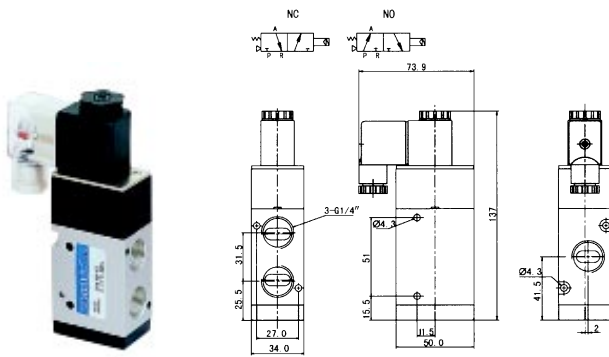
4A410-15



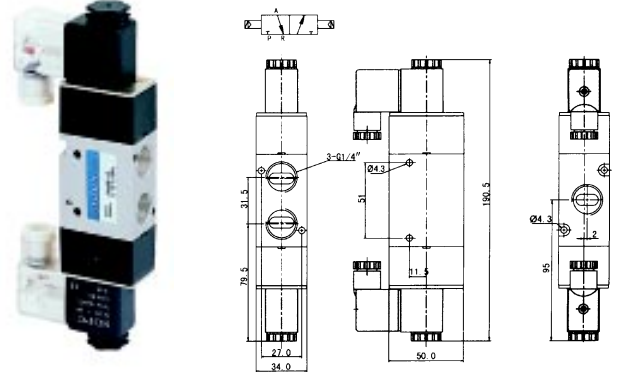
4A420-15、4A430-15



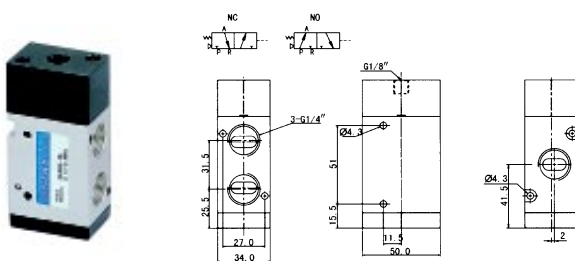
3V410-15



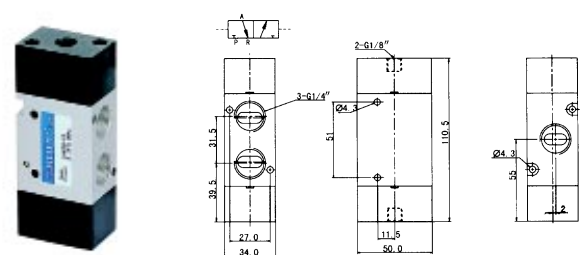
3V420-15



3A410-15

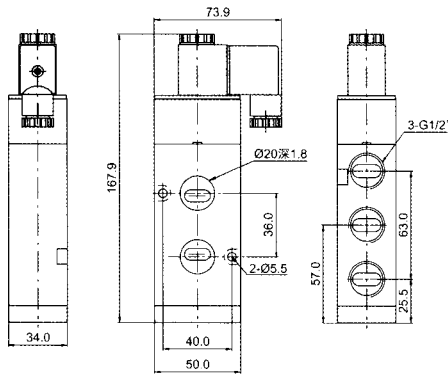


3A420-15

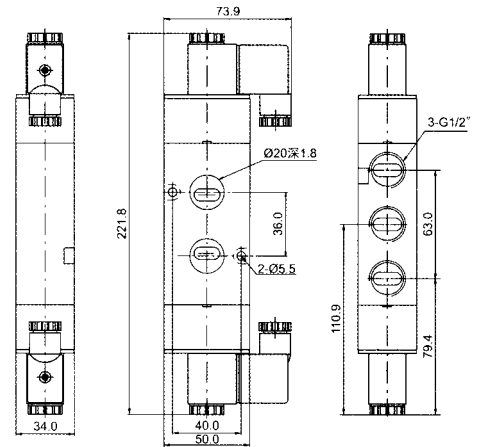
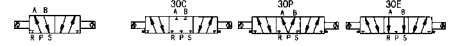


## Dimension(mm):

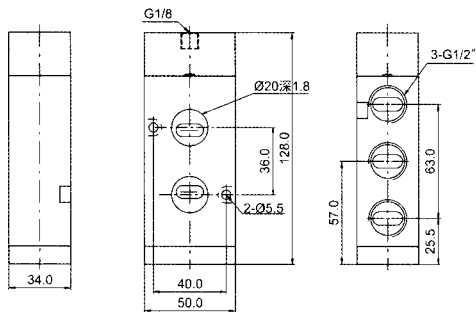
### 4M410-15



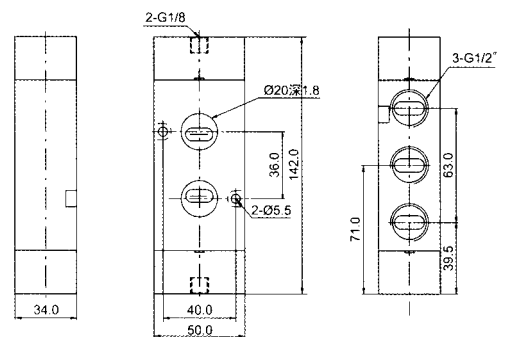
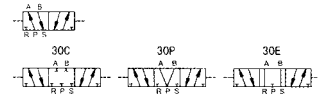
### 4M420-15、4M430-15



### 4A410-15B



### 4A420-15B、4A430-15B



## Solenoid Valve

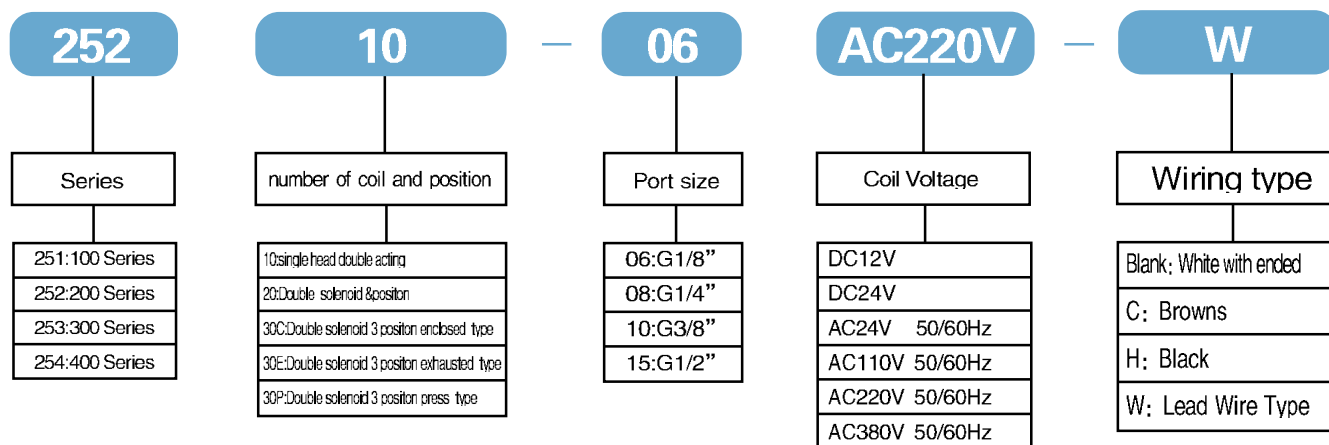
### Characteristic:

- Service life:10million cycle times.
- The bodies are mirror finished and hardening treated.
- Equipped with imported oil seals with smaller friction and longer service life.
- With imported coils,low power consumption, speedy response.
- Capable of long service time without being damaged.

### Specification:

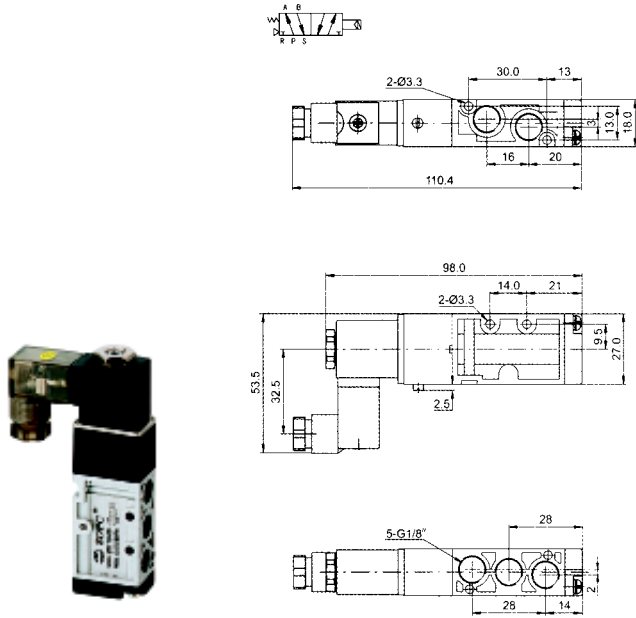
Type	25110-06	25120-06	25130C(E/P)-06	25210-08	25220-08	25230C(E/P)-08	25310-10	25320-10	25330C(E/P)-10	25410-15	25420-15	25430C(E/P)-15
Position number	2 Positon 5 Way	3 Positon 5 Way	2 Positon 5 Way	3 Positon 5 Way	2 Positon 5 Way	3 Positon 5 Way	2 Positon 5 Way	3 Positon 5 Way	2 Positon 5 Way	3 Positon 5 Way	3 Positon 5 Way	3 Positon 5 Way
Effective sectional area	12mm <sup>2</sup> (CV=0.67)	9mm <sup>2</sup> (CV=0.5)	14mm <sup>2</sup> (CV=0.78)	12mm <sup>2</sup> (CV=0.69)	25mm <sup>2</sup> (CV=1.40)	18mm <sup>2</sup> (CV=1.00)	50mm <sup>2</sup> (CV=2.79)	30mm <sup>2</sup> (CV=1.68)				
Fluid	Air											
Acting type	Internally pilot-actuated											
Working pressure MPa	0.2-0.8											
Ambient temperature °C	-5~50											
Voltage range	± 10%											

### How to order:

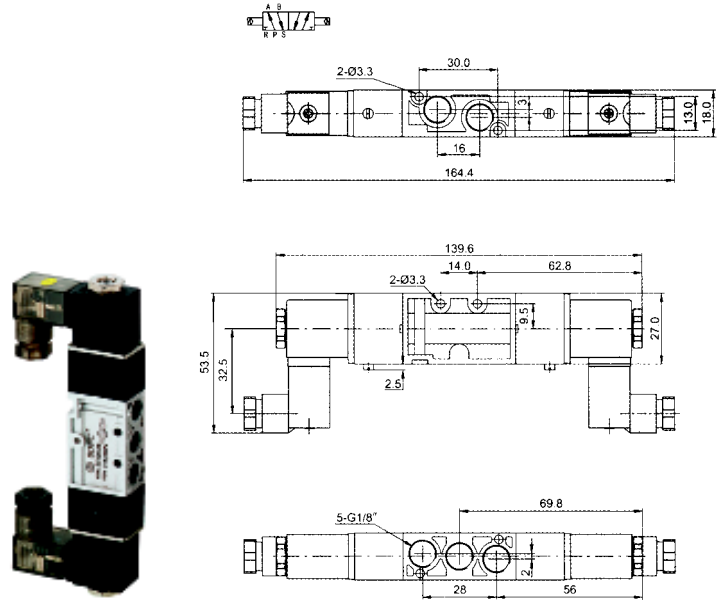


## Dimension(mm):

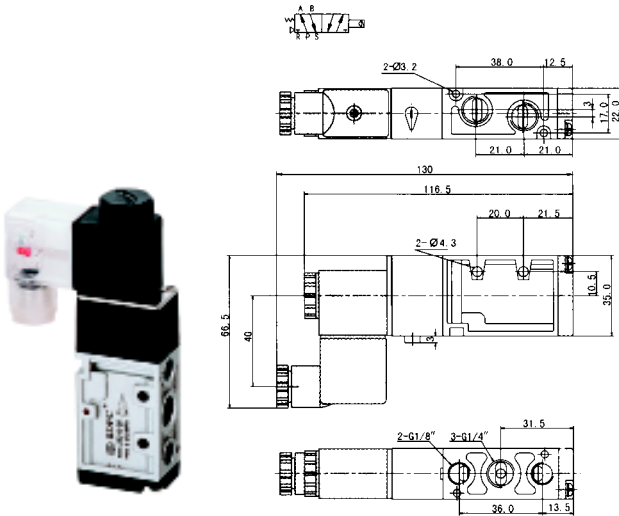
25110-06



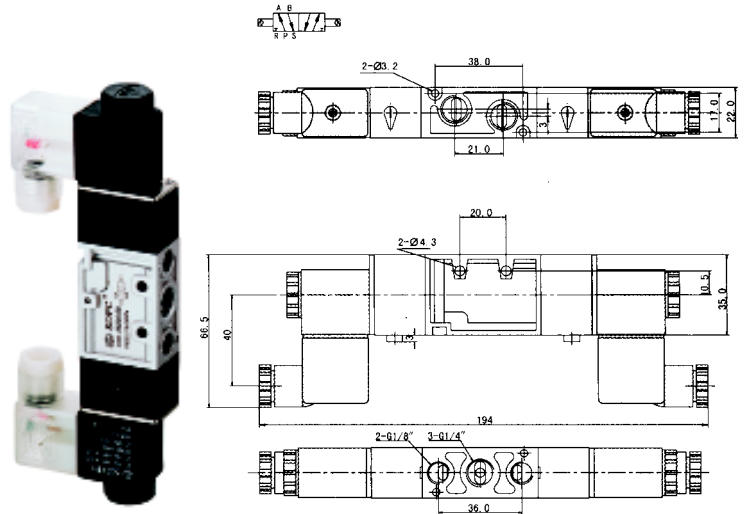
25120-06



25210-08

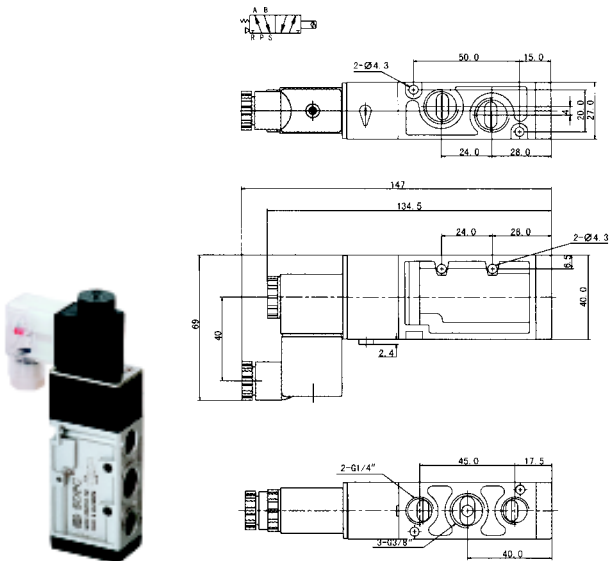


25220-08

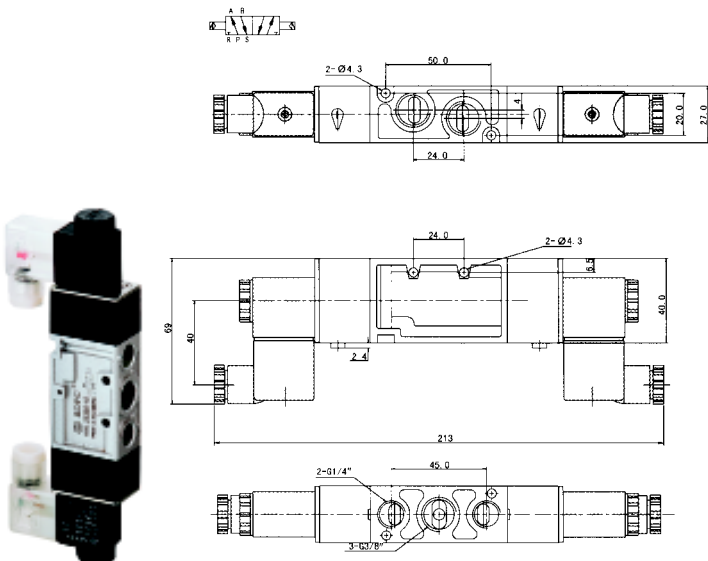


Dimension(mm):

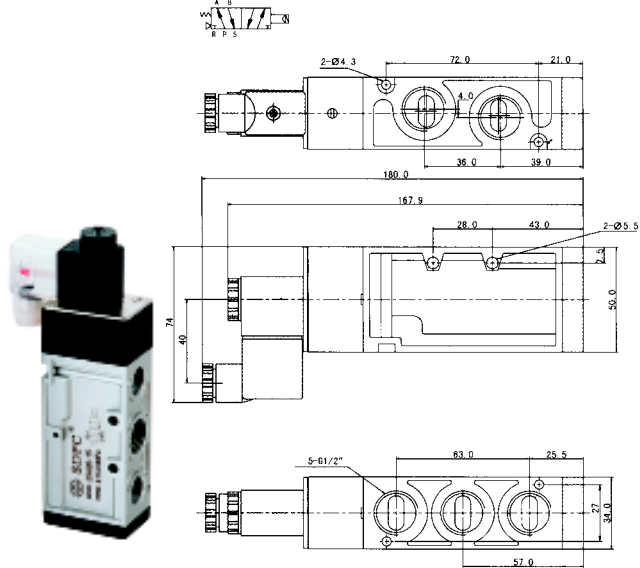
25310-10



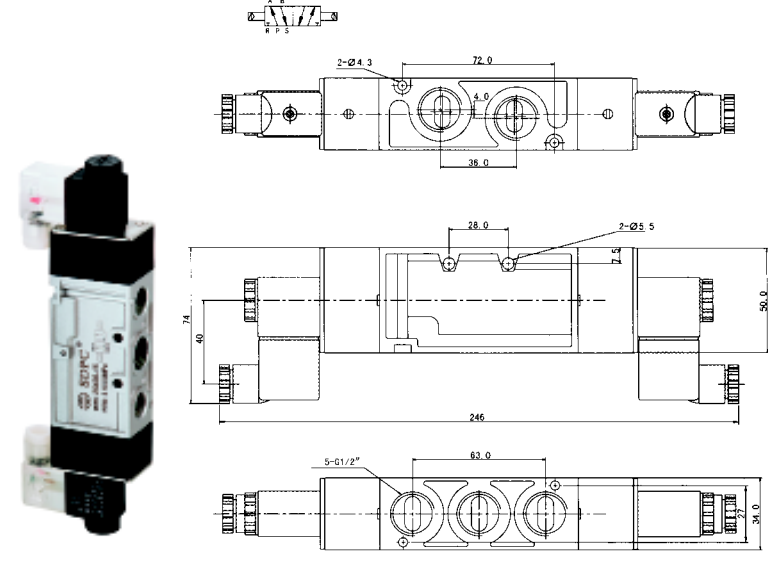
25320-10



25410-15

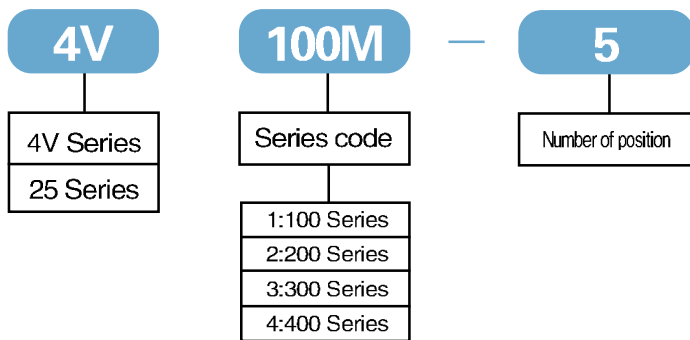


25420-15

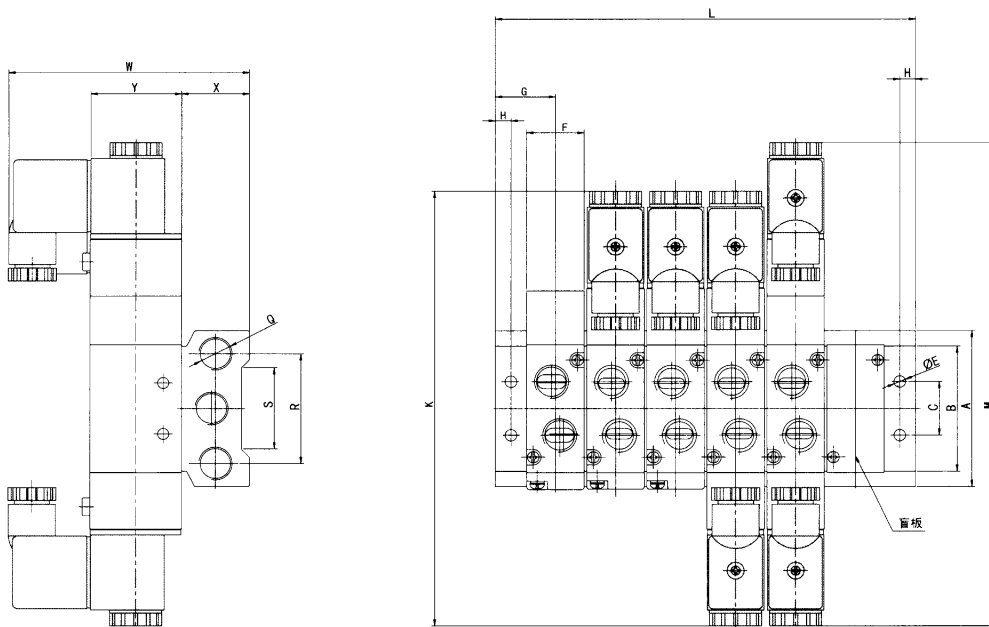


# Manifold

## How to order:



## Dimension(mm):



Type	A	B	C	E	F	G	H	K	L	M	Q	R	S	W	X	Y
100M□F	58	44	20	4.2	18.3	19	5	140	$(n-1)*19+38$	155	G1/4	40	30	78.5	25	27
200M□F	61	52	21	4.3	22.4	23	6	170	$(n-1)*23+46$	189	G1/4	43	32	92.5	26	35
300M□F	75	65	26	4.5	27.3	27	6	189	$(n-1)*28+54$	208	G3/8	53	48	99	30	40
400M□F	104	95	32	5.5	34.3	31.5	7	222	$(n-1)*35+63$	243	G1/2	68	67	112	38	50

## Solenoid Valve

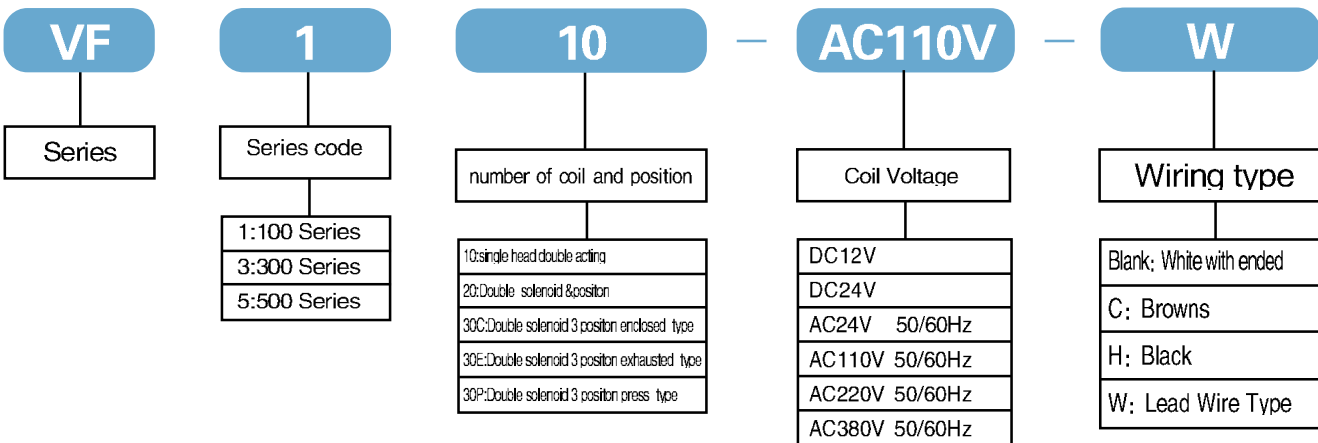
### Characteristic:

- Service life:10million cycle times.
- The bodies are mirror finished and hardening treated.
- Equipped with imported oil seals with smaller friction and longer service life.
- With imported coils,low power consumption, speedy response.
- Capable of long service time without being damaged.

### Specification:

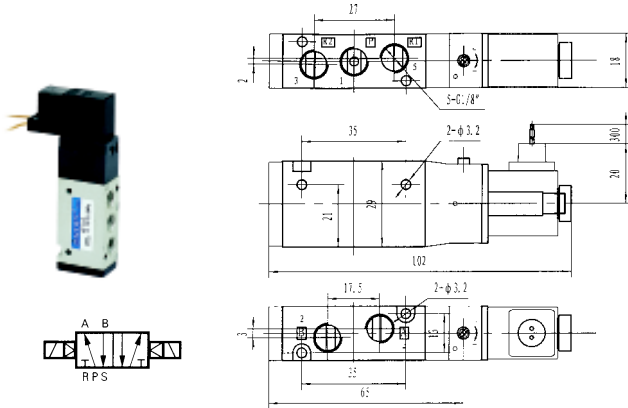
Type	VF110	VF310	VF510
	VF120	VF320	VF520
Position number	2 Positon 5 Way		
Fluid	Air		
Acting type	Internally pilot-actuated		
Working pressure MPa	0.2-0.8		
Ambient temperature °C	-5-50		
Voltage range	± 10%		

### How to order:

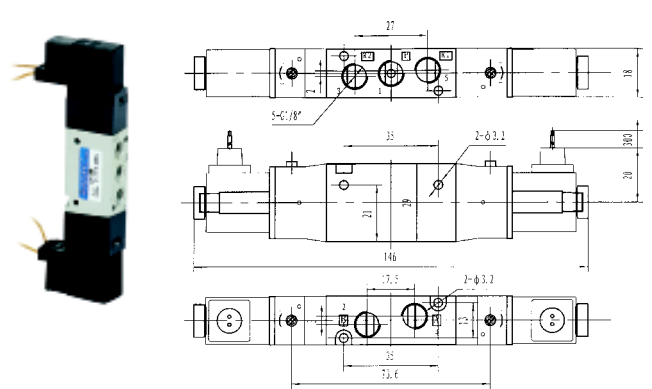


Dimension(mm):

VF110

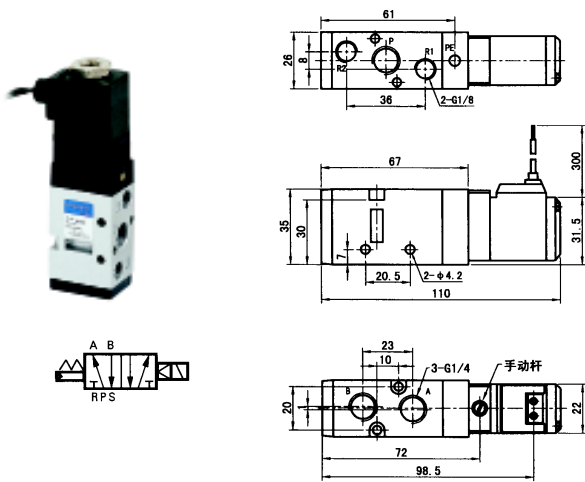


VF120

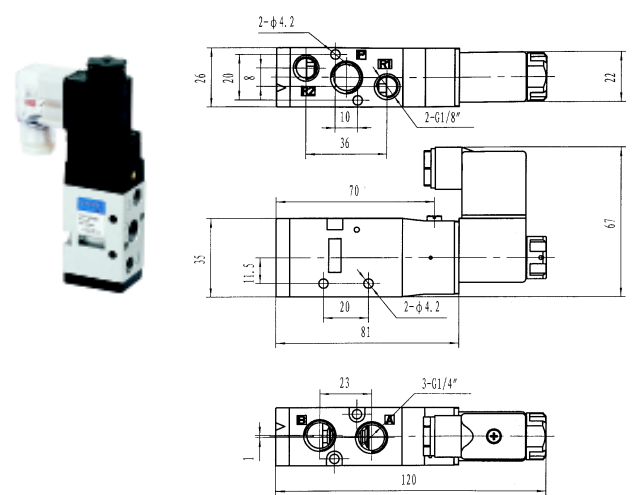


VF310

Direct guide line

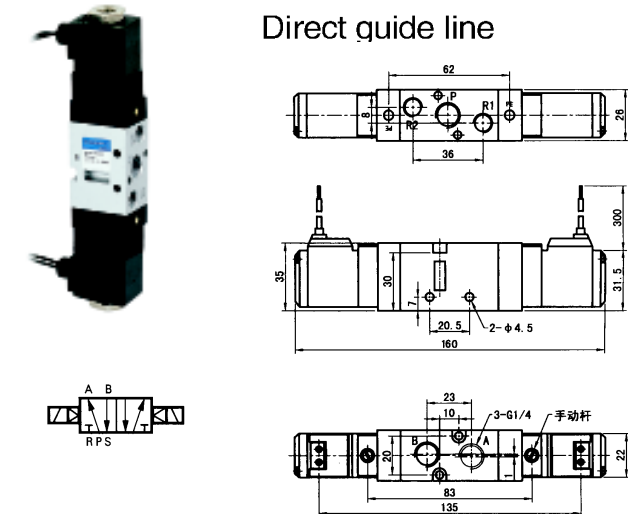


Socket type

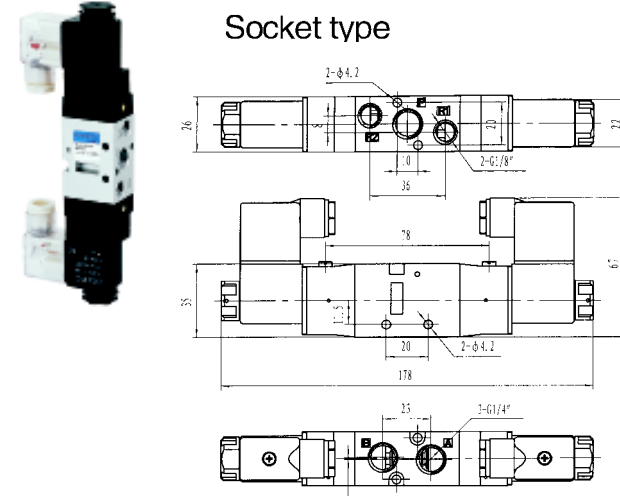


VF320

Direct guide line



Socket type

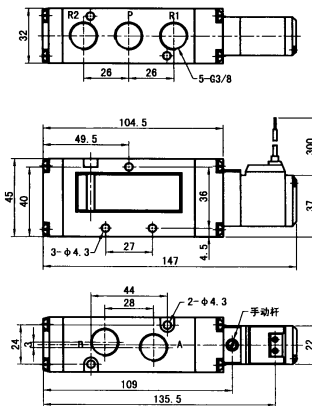




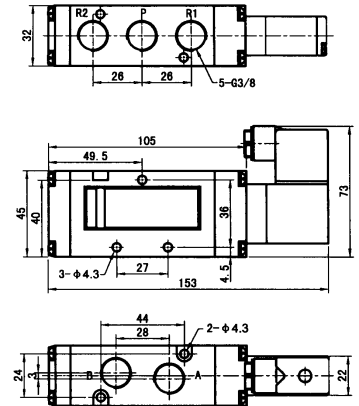
Dimension(mm):

VF510

Direct guide line

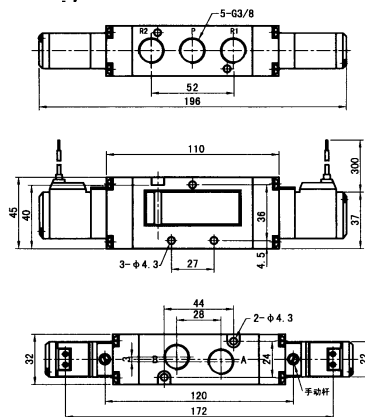
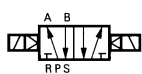


Socket type

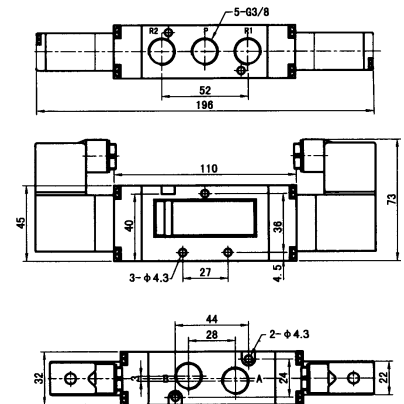


VF520

Direct guide line

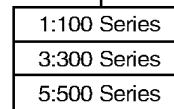
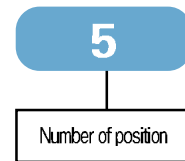
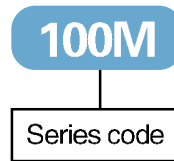
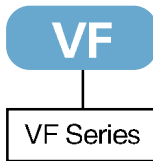


Socket type



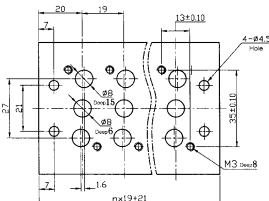
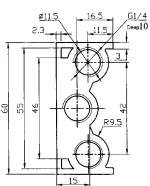
Manifold

How to order:

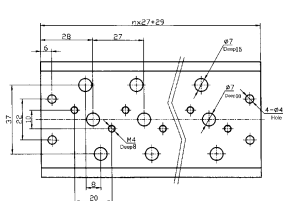
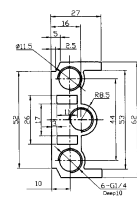


Dimensions(mm):

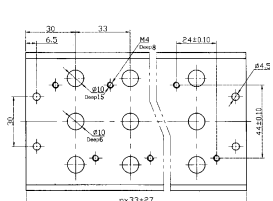
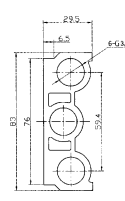
VF100



VF300



VF500



## Solenoid Valve

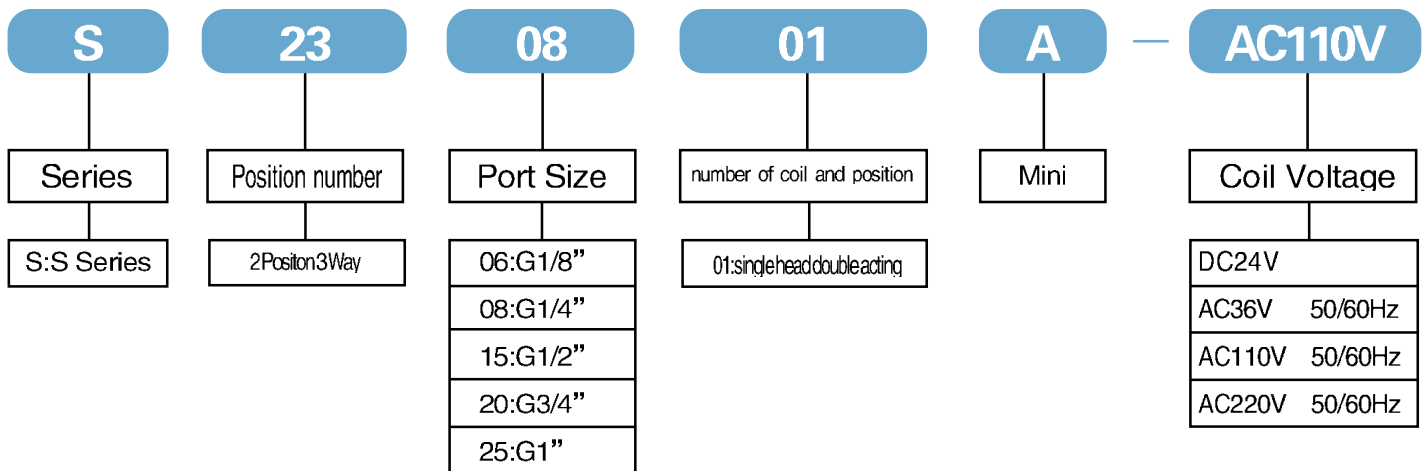
### Characteristic:

- High flow rate.
- The bodies are the mirror finished and hardening treated.
- Equipped with imported oil seals with smaller friction and longer service life.

### Specification:

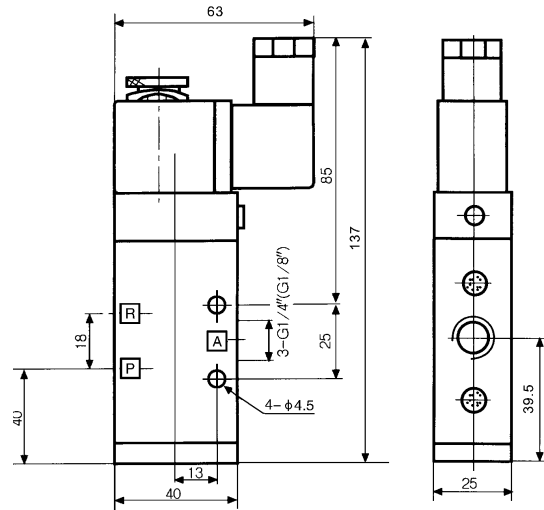
Type	S230601A	S230801A	S230801	S231501
Position number	2 Positon 3 Way			
Acting type	Internally pilot-actuated			
Port size G	1/8"	1/4"	1/4"	1/2"
Fluid	Air			
Operating pressure range Mpa	0.2-0.8			
Ambient temperature	-5~60°C			
Voltage range	± 10%			

### How to order:

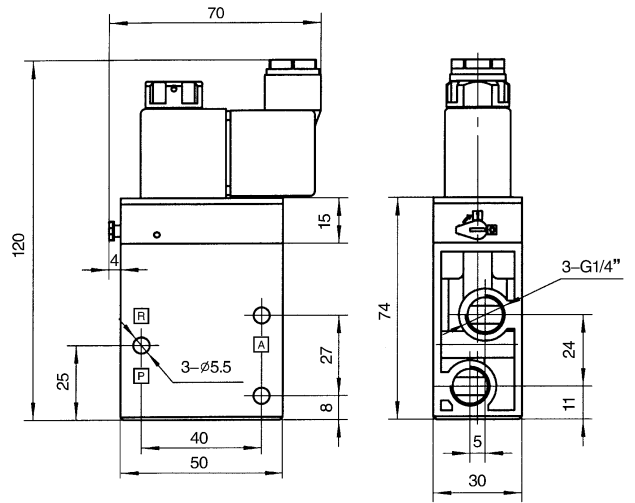


Dimension(mm):

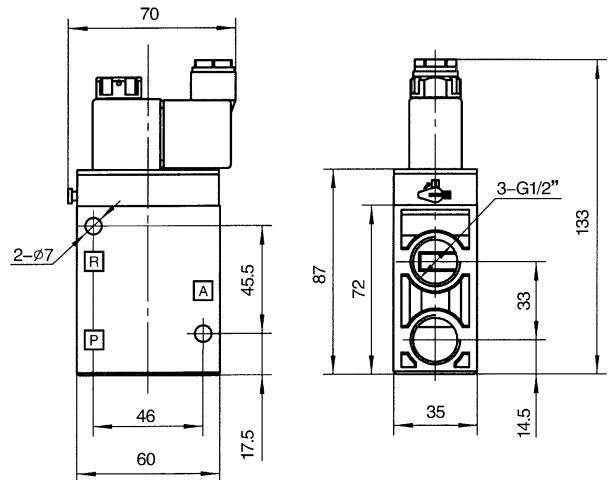
■ S230601A  
S230801A



■ S230801



■ S231501



## Solenoid Valve

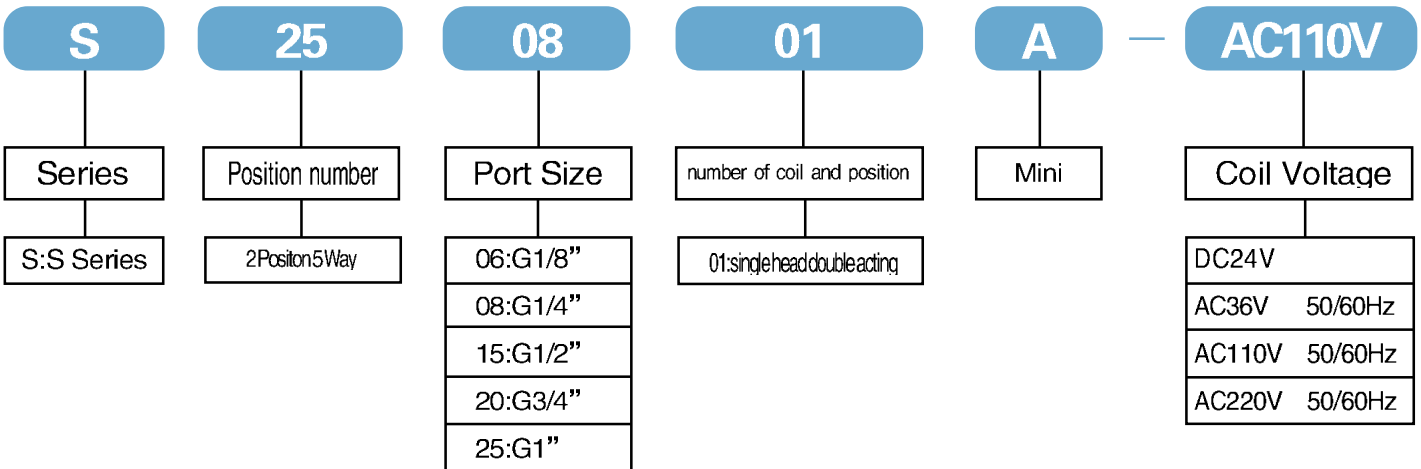
### Characteristic:

- High flow rate.
- The bodies are the mirror finished and hardening treated.
- Equipped with imported oil seals with smaller friction and longer service life.

### Specification:

Type	S250601A	S250801A	S250801	S251501
Position number	2 Positon 5 Way			
Acting type	Internally pilot-actuated			
Port size G	1/8"	1/4"	1/4"	1/2"
Fluid	Air			
Operating pressure range Mpa	0.2-0.8			
Ambient temperature	-5~60℃			
Voltage range	± 10%			

### How to order:





## Solenoid Valve

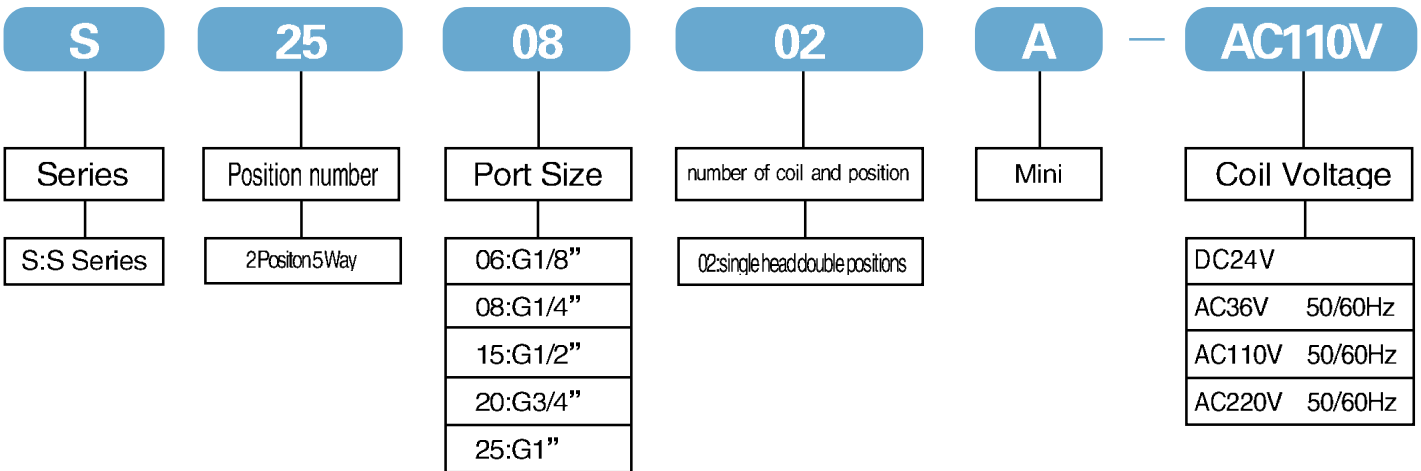
### Characteristic:

- High flow rate.
- The bodies are the mirror finished and hardening treated.
- Equipped with imported oil seals with smaller friction and longer service life.

### Specification:

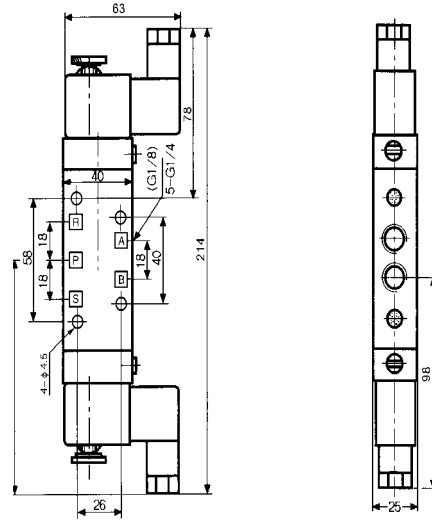
Type	S250602A	S250802A	S250802	S251502
Position number	2 Positon 5 Way			
Acting type	Internally pilot-actuated			
Port size G	1/8"	1/4"	1/4"	1/2"
Fluid	Air			
Operating pressure range Mpa	0.2~0.8			
Ambient temperature	-5~60℃			
Voltage range	± 10%			

### How to order:

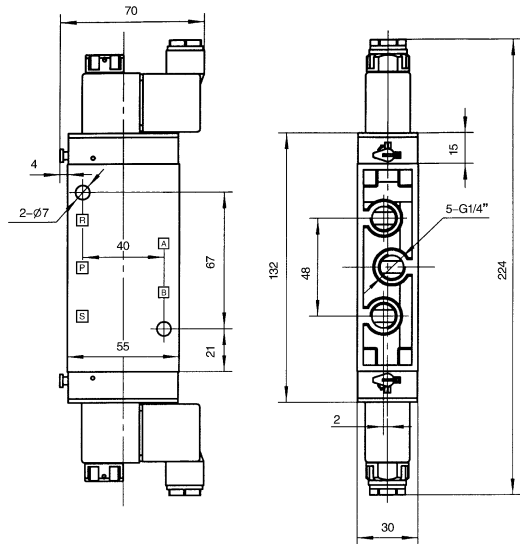


Dimension(mm):

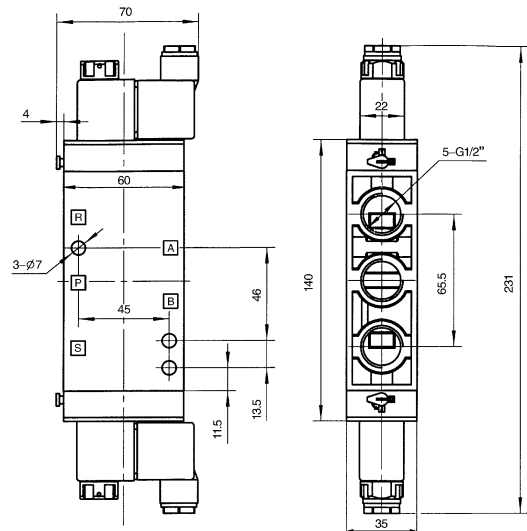
■ S250602A  
S250802A



■ S250802



■ S251502



# Solenoid Valve

## Characteristic9:

- The bodies are the mirror finished and hardening treated.
- Equipped with imported oil seals with smaller friction and longer service life.

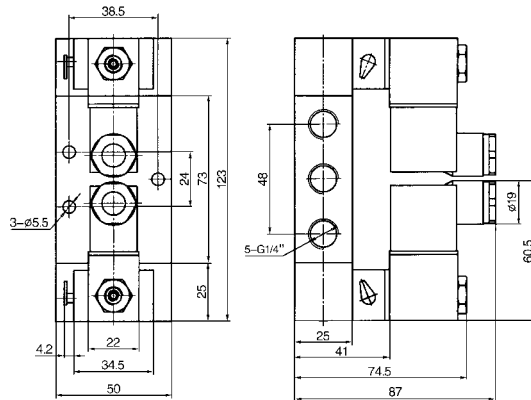


## Specification:

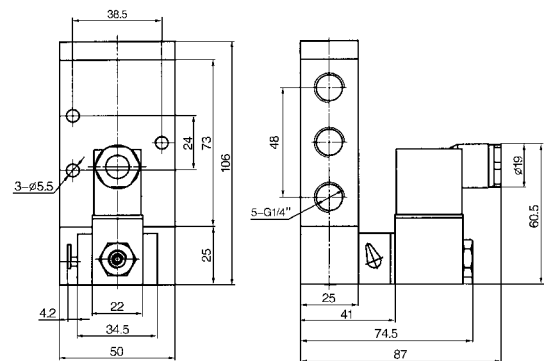
Type	SB250801	SB250802	SB251501	SB251502
Position number	2 Position 5 Way			
Acting type	Internally pilot-actuated			
Port size G	1/4"		1/2"	
Fluid	Air			
Operating pressure range Mpa	0.2~0.8			
Ambient temperature	-5~60			
Voltage range	± 10%			

## Dimension(mm):

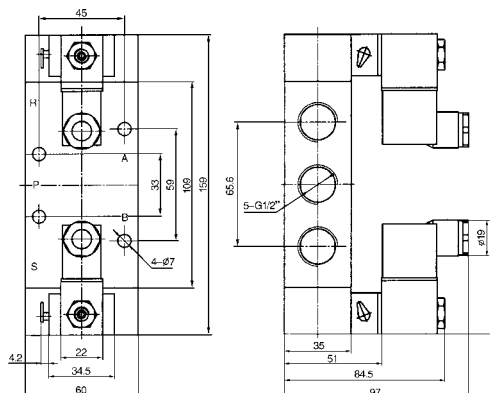
■ SB250802



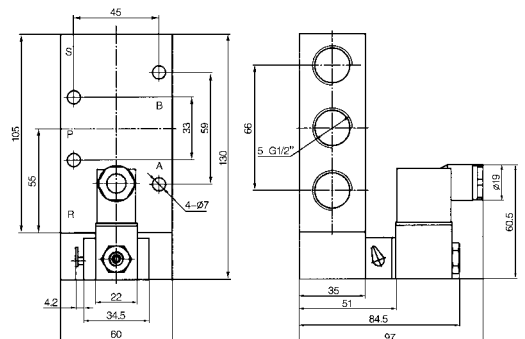
■ SB250801



■ SB251502



■ SB251501





## High Pressure Solenoid Valve

### Characteristic:

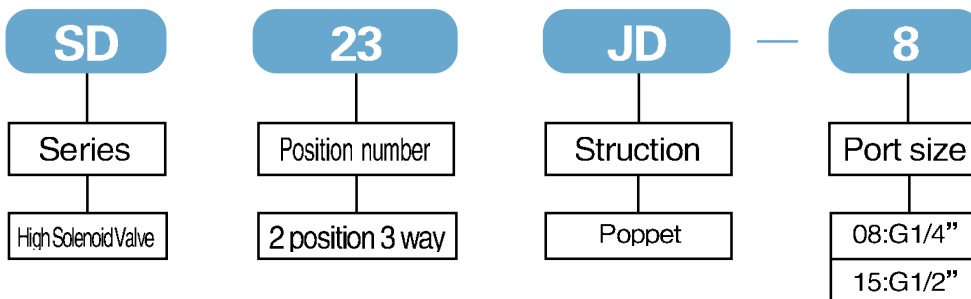
This series valve is the direction –changer valve, type stop structure ,stable performance, safety reliable comprehensively used all kinds of blower .



### Specification:

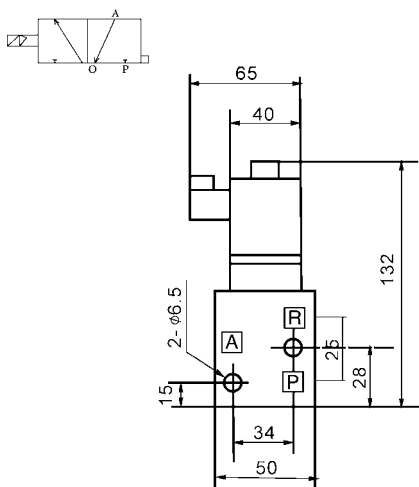
Type	SD23JD-08	SD23JD-15
Acting type	Internally pilot-actuated	
Position number	2 Position 3 Way	
Port size G	1/4"	1/2"
Fluid	Air	
Operating pressure range Mpa	0.2-0.8	
Ambient temperature	-5-60°C	
Voltage range	± 10%	

### How to order:

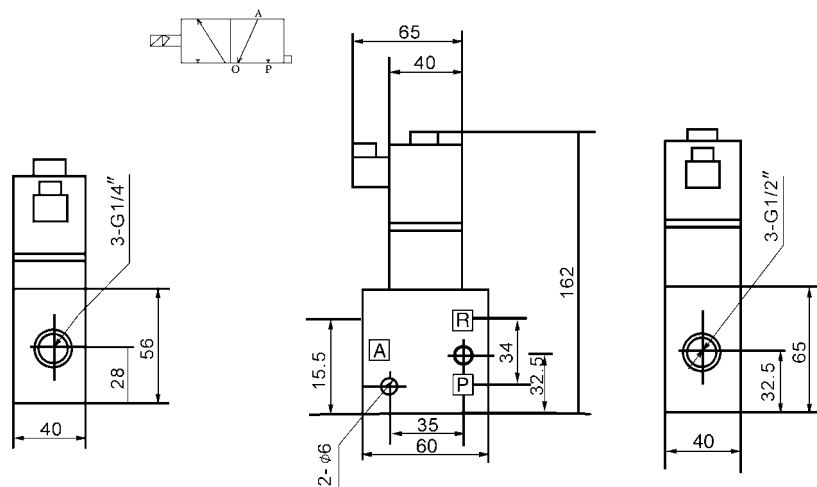


### Dimension(mm):

#### SD23JD-08



#### SD23JD-15



## High Pressure Solenoid Valve

### Characteristic:

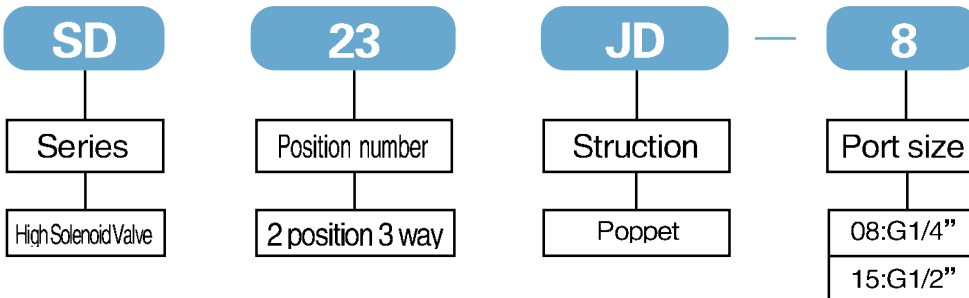
This series valve is the direction –changer valve, type stop structure ,stable performance, safety reliable comprehensively used all kinds of blower .



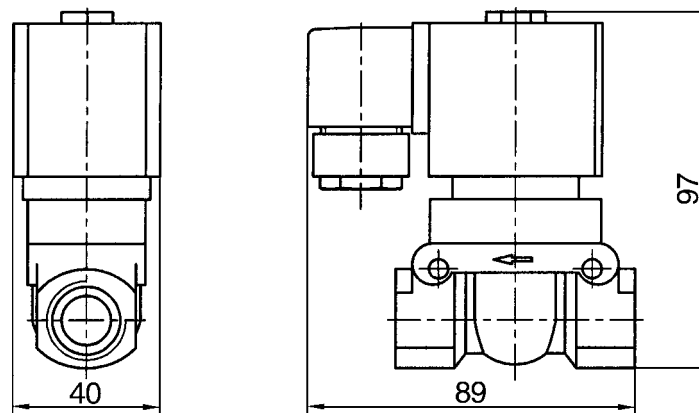
### Specification:

Type	SVH23JD-08	SVH23JD-15
Acting type	Internally pilot-actuated	
Position number	2 Positon 3 Way	
Fluid	Air	
Port size G	1/4"	1/2"
Operating pressure range Mpa	0.2-0.8	
Ambient temperature	-5~60℃	
Voltage range	± 10%	


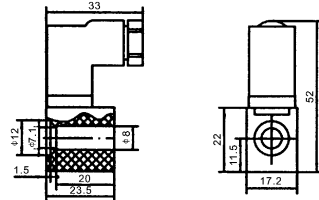

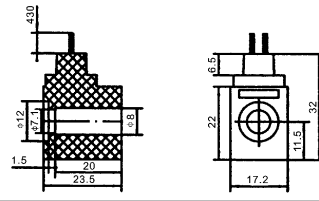

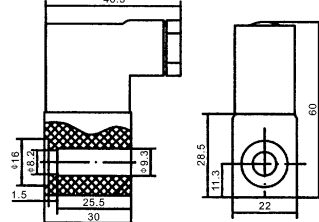

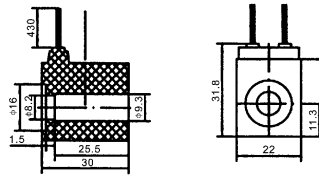

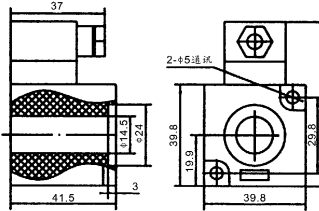

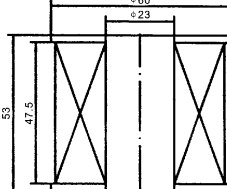

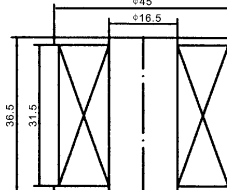

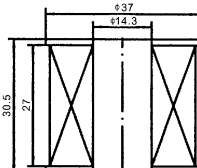
### How to order:



### Dimension(mm):



# Coil

Type	Photo	Dimension	Appliable range
110C			4V110-06 25110-06
110C-W			
210C			4V2000 Series 4V3000 Series 4V4000 Series S-A Series VF Series
210C-W			
200C			SD23JD-8, 15
2LC			2L170-15, 2L170-20 2L200-25, 2L300-35 2L300-40, 2L500-50
2W160C			2W160-15, 2W200-20 2W250-25, 2W350-35 2W400-40, 2W500-50
2W025C			2W025, 2W040