



AC、BC Filter+Regulator+Lubricator

**49**



AFC、BFC Filter Regulator+Lubricator

**51**



AFR、BFR Filter Regulator

**53**



AF、BF Filter

**54**



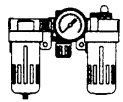
AR、BR Regulator

**55**

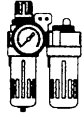


AL、BL Lubricator

**56**



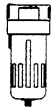
AC、 BC Filter+Regulator+Lubricator - - - - - Optional(1/4",3/8",1/2") 49



AFC、 BFC Filter Regulator+Lubricator - - - - - Optional(1/4",3/8",1/2") 51



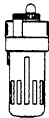
AFR、 BFR Filter Regulator - - - - - Optional(1/4",3/8",1/2") 53



AF、 BF Filter - - - - - Optional(1/4",3/8",1/2") 54

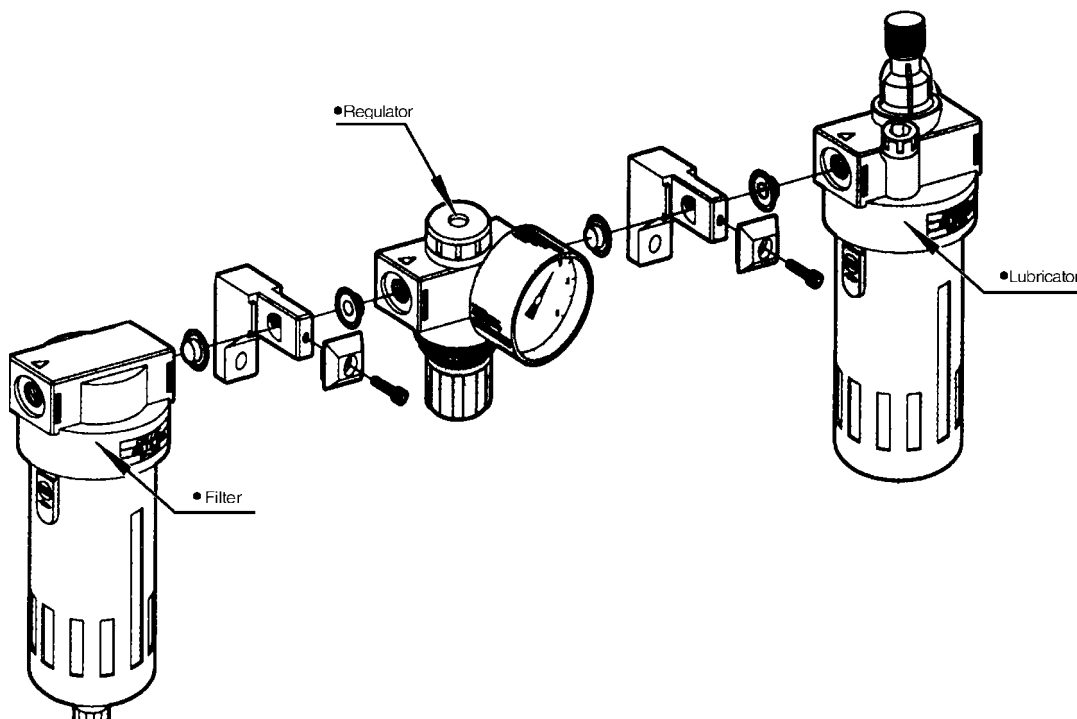


AR、 BR Relief Valve - - - - - Optional(1/4",3/8",1/2") 55



AL、 BL Atomized Lubricator - - - - - Optional(1/4",3/8",1/2") 56

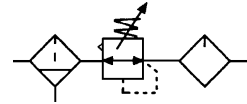
**AC、 BC assembled sketch:**



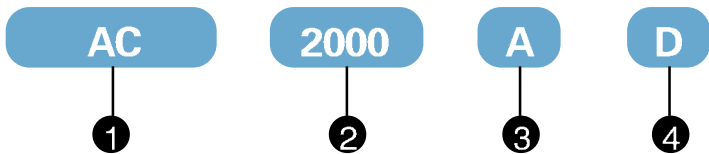
# Filter+Regulator+Lubricator

## Specification:

Type	AC2000A	BC2000A	BC3000A	BC4000A
Port size G	1/4"	1/4"	3/8"	1/2"
Fluid	Air			
Operating pressure range MPa	Standard: 20 μ m			
Max.Flow rate L/min	0.15-0.85			
Ambient temperature °C	700	1400		
Oil recommended	-10~60			
Guard cup	ISO VG32			
Optional	-	●	●	●

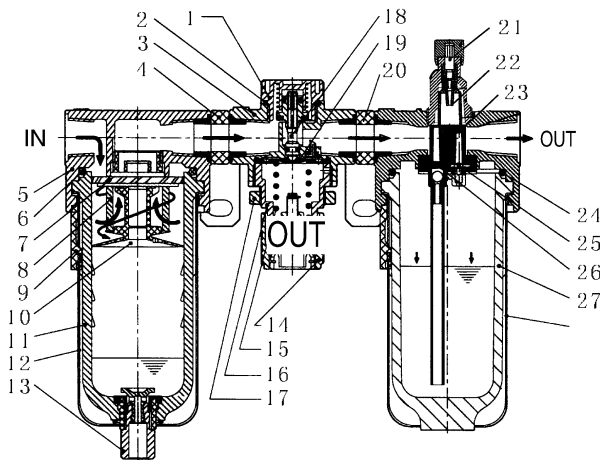


## How to order:



①	AC、BC Filter+Regulator+Lubricator
②	2000:G1/4",3000:G3/8",4000:G1/2"
③	A: Improved type ; Blank: Old type
④	□: Differential pressure drain, D: Auto-drain;

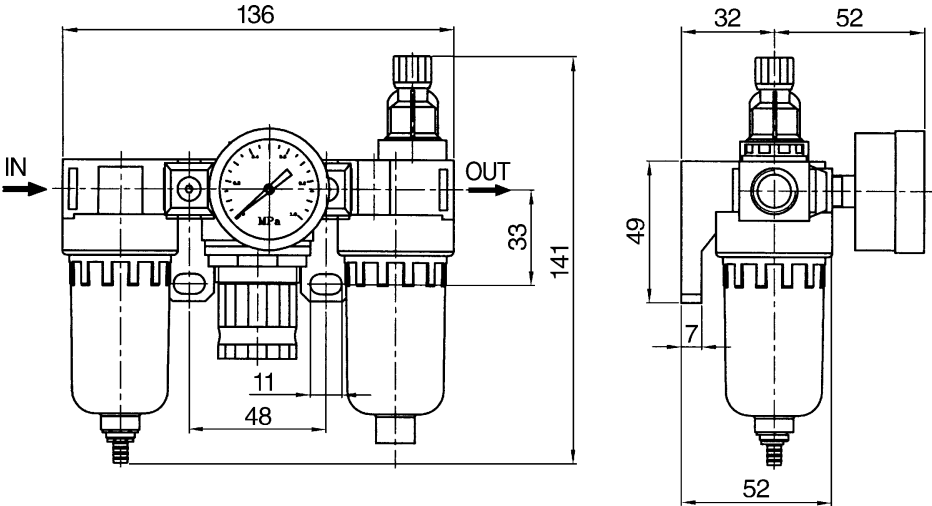
## Inner structure drawing:



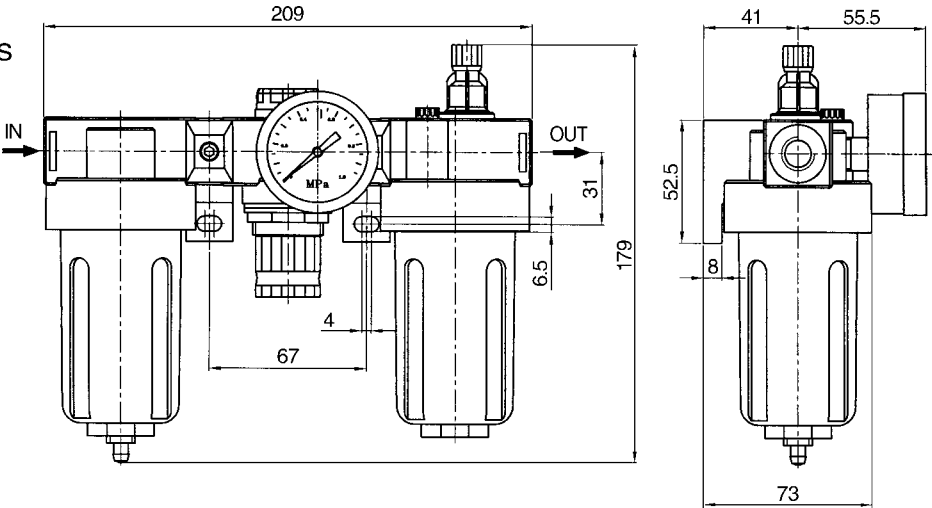
No	code	No	code
1	pressure nut	15	regulator spring
2	O-ring	16	regulator basic
3	regulator body	17	fixed ring
4	connecting block	18	straight bar
5	filter body	19	diaphragm
6	O-ring	20	connecting block
7	rotated ring	21	oil adjuster
8	cartridge	22	boom subassembly
9	press-button	23	toggle piece
10	cartridge basic	24	O-ring
11	P C cup	25	stop-back valve
12	guard cup	26	filter
13	drain	27	P C cup
14	regulator screw cap	28	guard cup

Dimension(mm):

■ AC Series



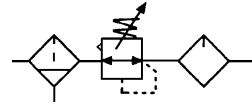
■ BC Series



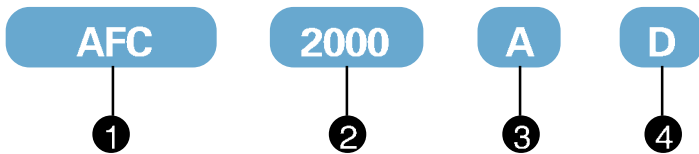
## Filter Regulator+Lubricator

### Specification:

Type	AFC2000A	BFC2000A	BFC3000A	BFC4000A
Port size G	1/4"	1/4"	3/8"	1/2"
Fluid	Air			
Operating pressure range MPa	Standard: 20 μ m			
Max. Flow rate L/min	0.15-0.85			
Ambient temperature °C	650	1400		
Oil recommended	-10-60			
Guard cup	ISO VG32			
Optional	-	●	●	●

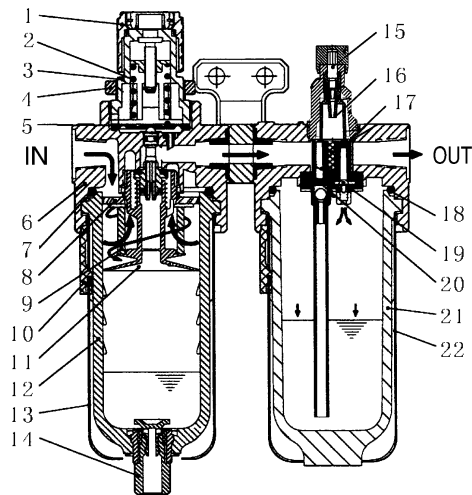


### How to order:



①	AFC、BFC Filter Regulator+Lubricator
②	2000:G1/4",3000:G3/8",4000:G1/2"
③	A: Improved type ; Blank: Old type
④	□: Differential pressure drain, D: Auto-drain;

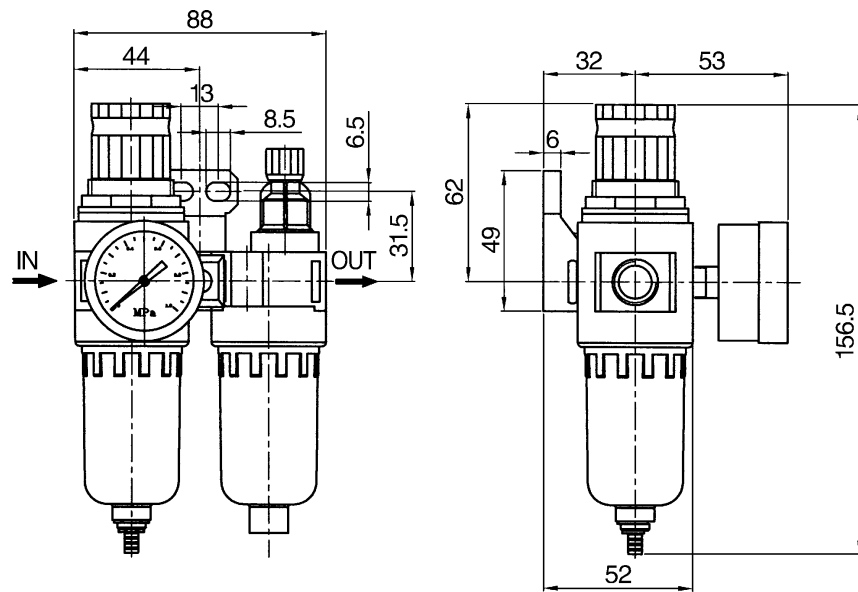
### Inner structure drawing:



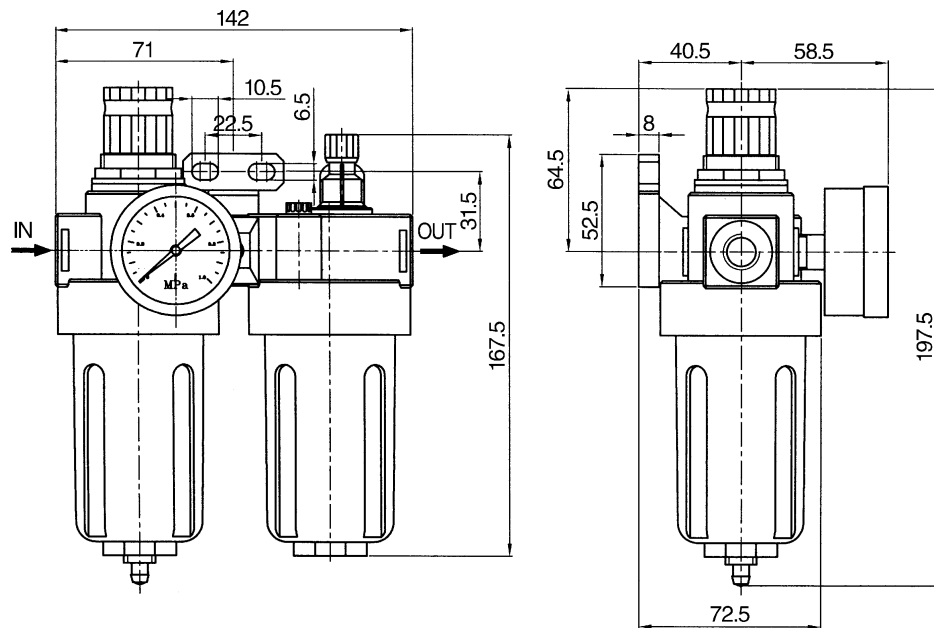
No	code	No	code
1	pressure nut	12	P C cup
2	regulator spring	13	guard cup
3	regulator basic	14	drain
4	fixed ring	15	oil adjuster
5	diaphragm	16	diaphragm subassembly
6	filter regulator body	17	toggle piece
7	O-ring	18	O-ring
8	block ring	19	stop-back valve
9	cartridge	20	rotated ring
10	press-button	21	P C cup
11	cartridge basic	22	guard cup

## Dimension(mm):

### AFC Series



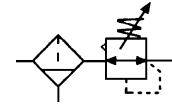
### BFC Series



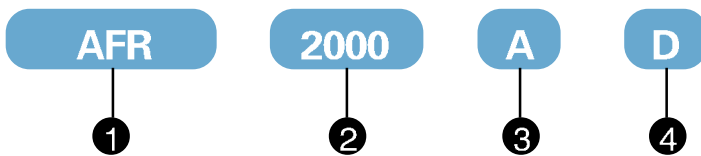
## Filter Regulator

### Specification:

Type	AFR2000A	BFR2000A	BFR3000A	BFR4000A
Port size G	1/4"	1/4"	3/8"	1/2"
Fluid	Air			
Operating pressure range MPa	Standard: 20 μ m			
Max. Flow rate L/min	0.15-0.85			
Ambient temperature °C	650	1400		
Oil recommended	-10-60			
Optional	-	●	●	●



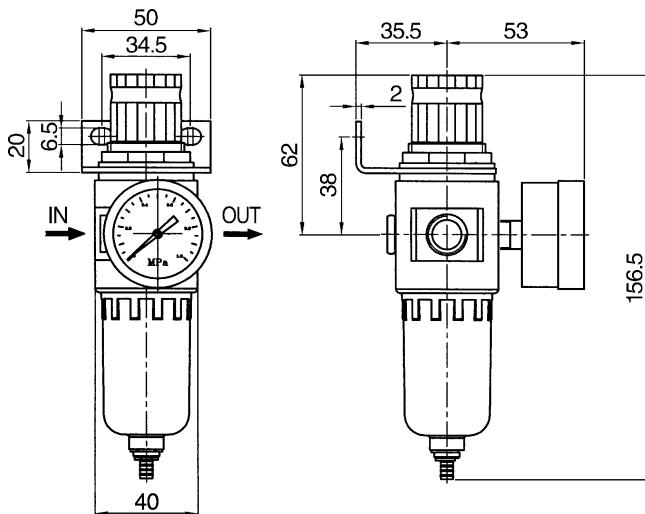
### How to order:



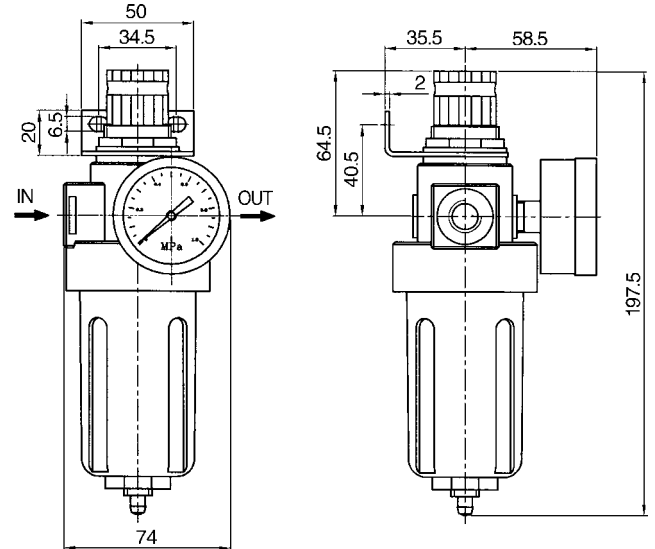
①	AFR/BFR: Filter Regulator
②	2000:G1/4",3000:G3/8",4000:G1/2"
③	A: Improved type ; Blank: Old type
④	□: Differential pressure drain, D: Auto-drain;

### Dimension(mm):

#### AFR Series



#### BFR Series



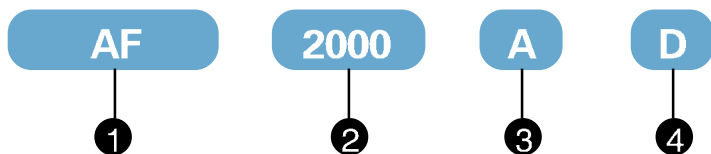
# Filter

## Specification:

Type	AF2000A	BF2000A	BF3000A	BF4000A
Port size G	1/4"	1/4"	3/8"	1/2"
Fluid	Air			
Operating pressure range MPa	Standard: 20 μ m			
Max. Flow rate L/min	0.15-0.85			
Ambient temperature °C	650	1400		
Oil recommended	-10-60			
Optional	-	●	●	●



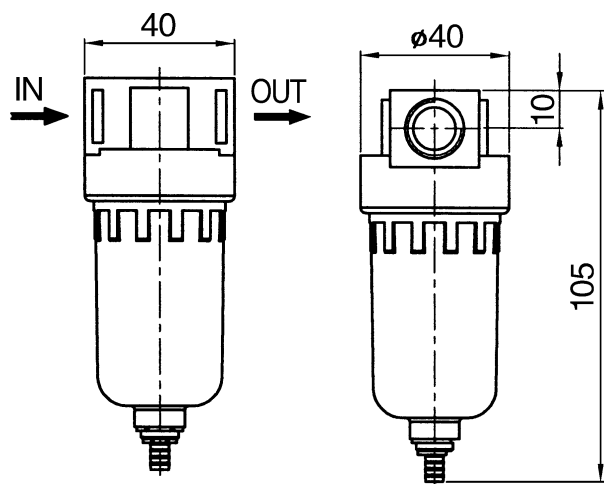
## How to order:



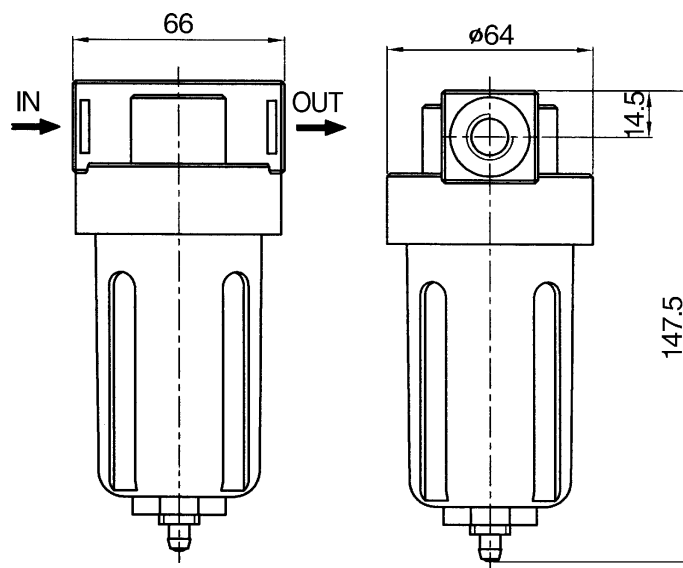
①	AF/BF: Filter
②	2000:G1/4",3000:G3/8",4000:G1/2"
③	A: Improved type ; Blank: Old type
④	□: Differential pressure drain, D: Auto-drain;

## Dimension(mm):

### AF Series



### BF Series

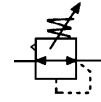




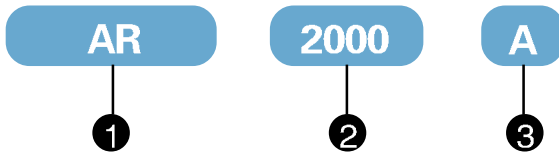
# Regulator

## Specification:

Type	AR2000A	BR2000A	BR3000A	BR4000A
Port size G	1/4"	1/4"	3/8"	1/2"
Fluid	Air			
Operating pressure range MPa	0.1~0.85			
Max. Flow rate L/min	650	1400		
Ambient temperature °C	-10~60			



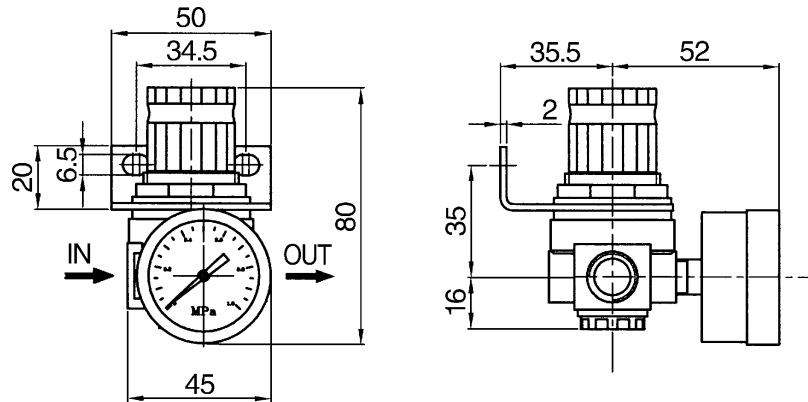
## How to order:



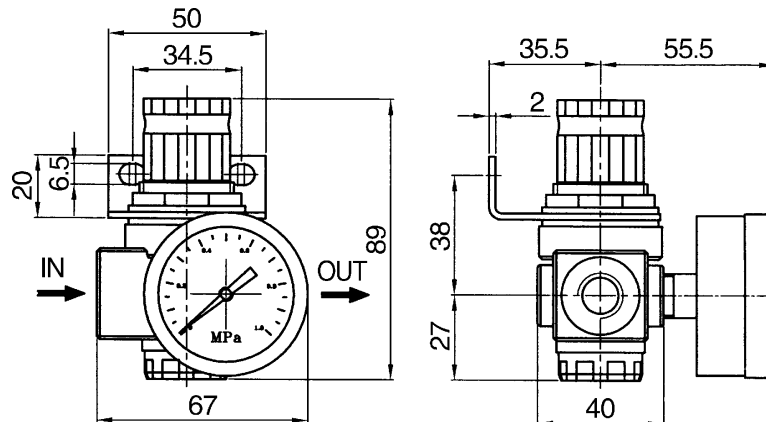
①	AR/BR: Regulator
②	2000:G1/4",3000:G3/8",4000:G1/2"
③	A: Improved type ; Blank: Old type

## Dimension(mm):

### AR Series



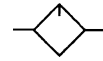
### BR Series



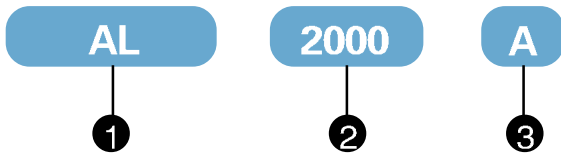
# Lubricator

## Specification:

Type	AL2000A	BL2000A	BL3000A	BL4000A
Port size G	1/4"	1/4"	3/8"	1/2"
Fluid	Air			
Operating pressure range MPa	0.15-0.85			
Max. Flow rate L/min	650	1400		
Ambient temperature °C	-10~60			
Oil recommended	ISO VG32			
Optional	-	●	●	●



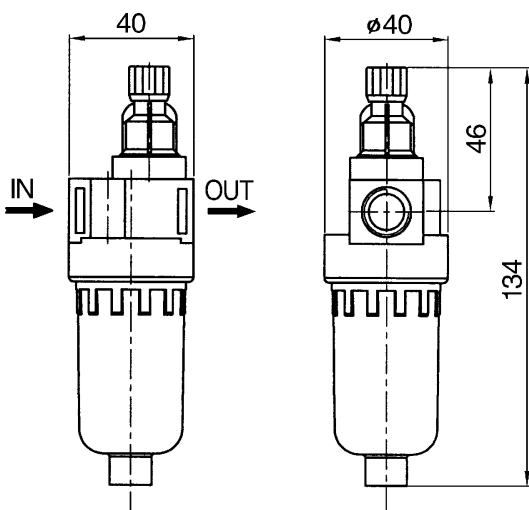
## How to order:



①	AL/BL: Lubricator
②	2000:G1/4",3000:G3/8",4000:G1/2"
③	A: Improved type ; Blank: Old type

## Dimension(mm):

■ AL Series



■ BL Series

